

VARIABLE DEPTH PAVEMENT PLANING TABLE

C/L STATION	MILL DEPTH (LT)	MILL DEPTH (RT)	C/L STATION	MILL DEPTH (LT)	MILL DEPTH (RT)
86+00		0.00' (BEGIN)	90+00		0.20'
86+08	0.00' (BEGIN)		90+50	0.00' (BEGIN)	0.20'
86+50	0.20'	0.30'	91+00	0.20'	0.25'
87+00	0.20'	0.35'	91+26	0.00' (END)	
87+50	0.20'	0.35'	91+50		0.15'
88+00	0.30'	0.35'	91+83		0.00' (END)
88+50	0.25'	0.40'	92+45	0.00' (BEGIN)	
89+00	0.20'	0.35'	92+70	0.15'	
89+10	0.00' (END)		93+00	*	
89+50		0.25'			

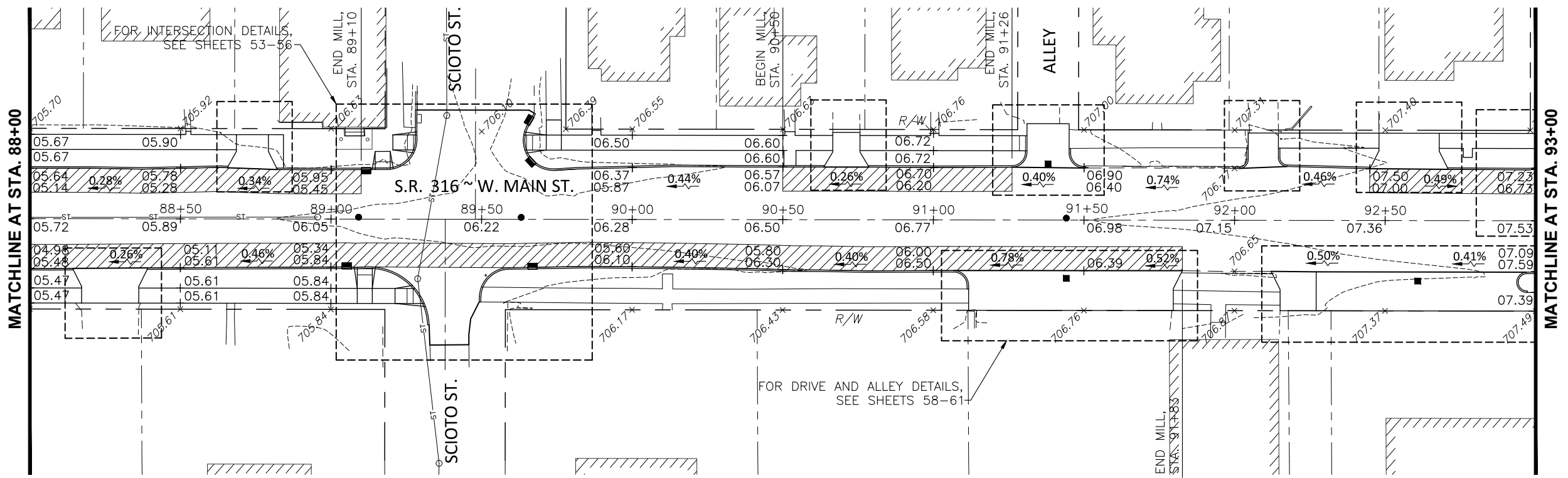
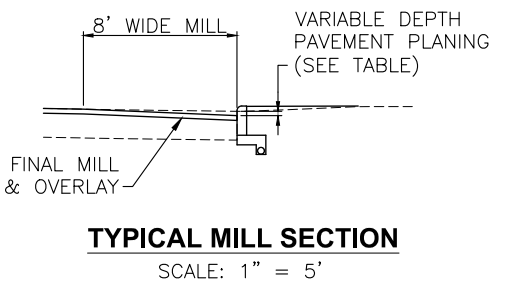
* SEE CROMLEY STREET INTERSECTION DETAIL FOR GRADING, SHEET 53.

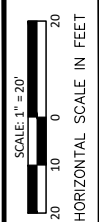
NOTE: FOR GRADING PURPOSES AND TO ACHIEVE PROPER CURB HEIGHT THROUGHOUT THIS PROJECT, VARIABLE DEPTH PAVEMENT PLANING WILL TAKE PLACE PRIOR TO THE FINAL 1 1/2" MILL AND OVERLAY. THE 8' WIDE VARIABLE DEPTH PAVEMENT PLANING WILL VARY IN DEPTH AND LOCATION. SEE THIS SHEET AND CROSS SECTIONS FOR DETAILS.

LEGEND

= 8' WIDE VARIABLE DEPTH PAVEMENT PLANING. SEE TABLE FOR MILL DEPTH.

NOTE: ALL SIDEWALK TO BE 3/16" CROSS SLOPE UNLESS OTHERWISE DENOTED ON THIS PLAN.

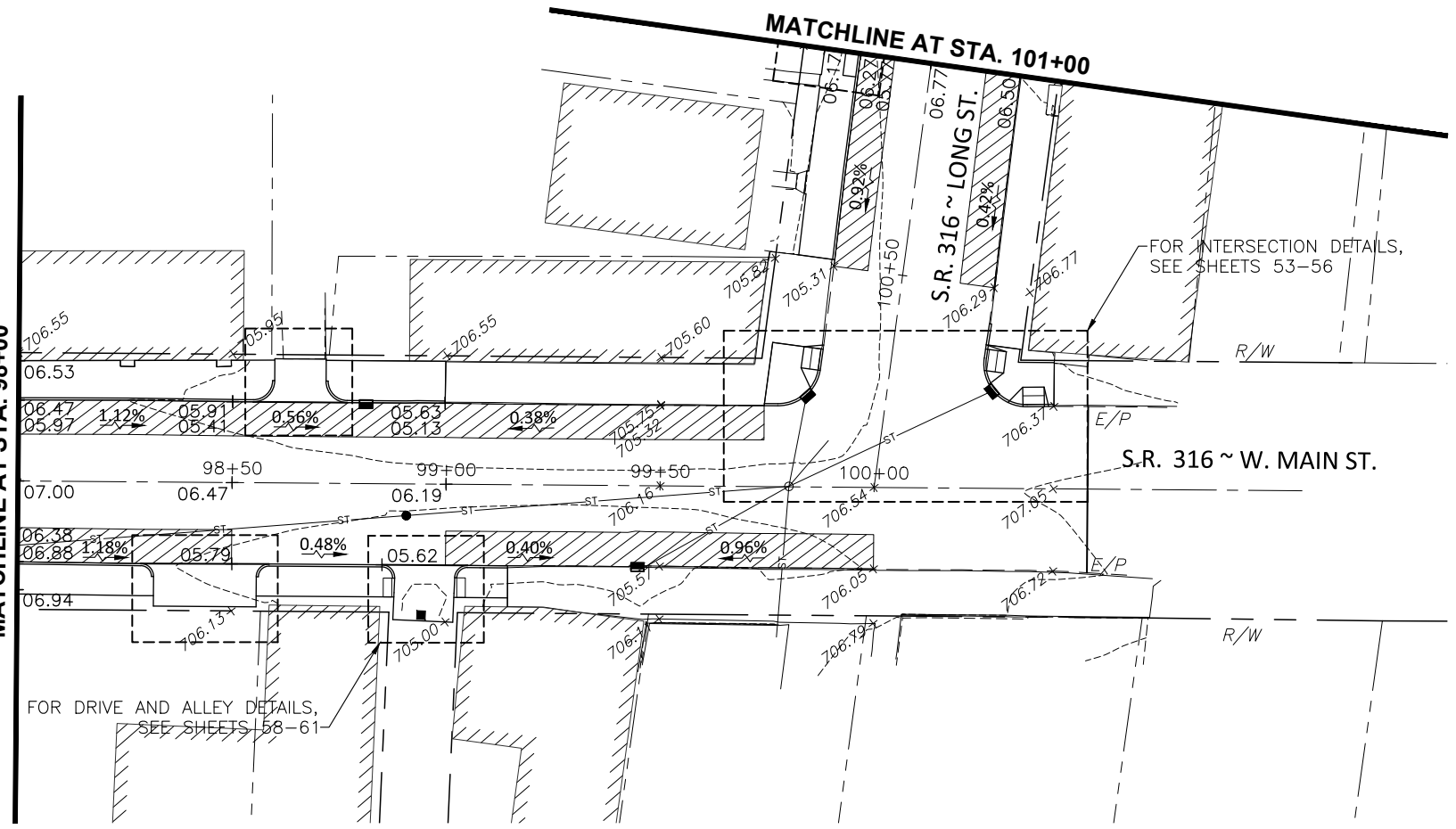
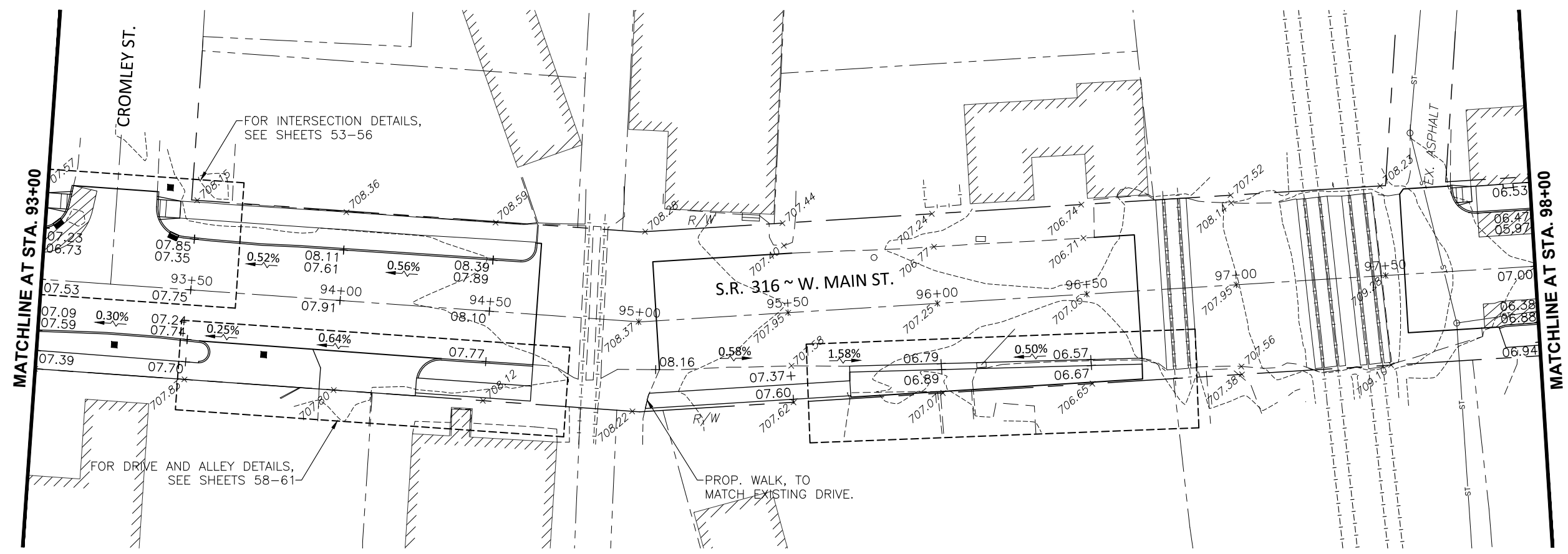





CALCULATED
CHECKED

GRADING PLAN
STA. 93+00 TO STA. 101+00

PIC-316 - 13.05-13.68
PART 2



LEGEND

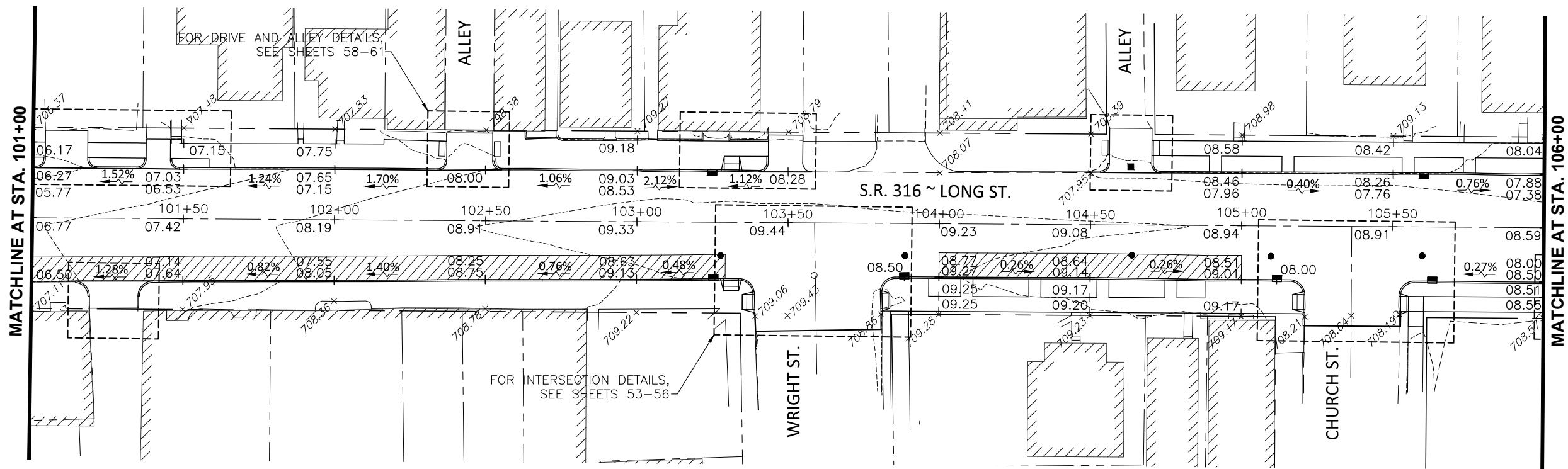
 = 8' WIDE VARIABLE DEPTH PAVEMENT PLANING. SEE TABLE FOR MILL DEPTH.

NOTE: ALL SIDEWALK TO BE $\frac{3}{16}$ " CROSS SLOPE UNLESS OTHERWISE DENOTED ON THIS PLAN.

NOTE: FOR GRADING PURPOSES AND TO ACHIEVE PROPER CURB HEIGHT THROUGHOUT THIS PROJECT, VARIABLE DEPTH PAVEMENT PLANING WILL TAKE PLACE PRIOR TO THE FINAL $\frac{1}{2}$ " MILL AND OVERLAY. THE 8' WIDE VARIABLE DEPTH PAVEMENT PLANING WILL VARY IN DEPTH AND LOCATION. SEE THIS SHEET AND CROSS SECTIONS FOR DETAILS.

VARIABLE DEPTH PAVEMENT PLANING TABLE		
C/L STATION	MILL DEPTH (LT)	MILL DEPTH (RT)
97+56	0.00' (BEGIN)	0.00' (BEGIN)
98+00	0.40'	0.25'
98+50	0.30'	0.00' (END)
99+00	0.20'	0.00' (BEGIN)
99+50	0.15'	0.15'
100+00	*	0.00' (END)
100+50	0.20'	0.20'
101+00	0.00' (END)	0.20'

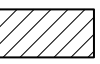
* SEE LONG STREET INTERSECTION DETAIL FOR GRADING, SHEET 53.



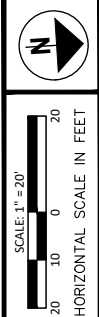
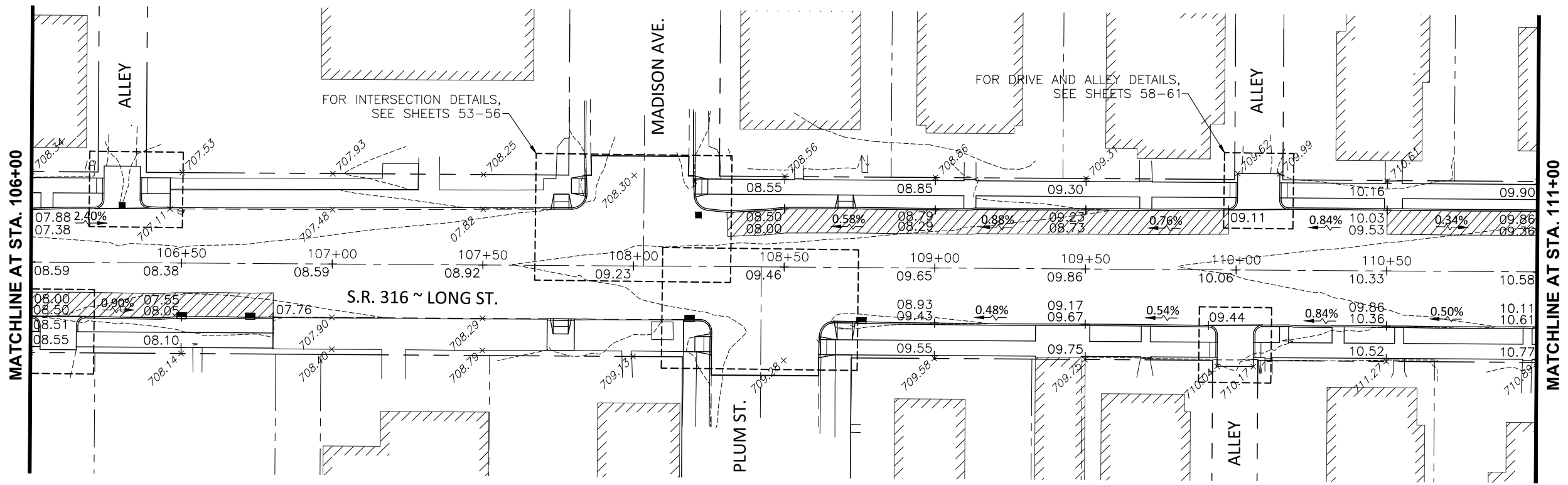
VARIABLE DEPTH PAVEMENT PLANING TABLE

C/L STATION	MILL DEPTH (LT)	MILL DEPTH (RT)	C/L STATION	MILL DEPTH (LT)	MILL DEPTH (RT)	C/L STATION	MILL DEPTH (LT)	MILL DEPTH (RT)
101+00		0.20'	104+50		0.15'	108+50	**	
101+50		0.35'	105+00		0.05' (END)	109+00	0.30'	
102+00		0.40'				109+50	0.30'	
102+50		0.20'	106+00		0.00' (BEGIN)	109+97	0.00' (END)	
103+00		0.20'	106+50		0.25'			
103+29	*	*	106+80		0.00' (END)			
104+00		0.30'						

NOTE: FOR GRADING PURPOSES AND TO ACHIEVE PROPER CURB HEIGHT THROUGHOUT THIS PROJECT, VARIABLE DEPTH PAVEMENT PLANING WILL TAKE PLACE PRIOR TO THE FINAL 1½" MILL AND OVERLAY. THE 8' WIDE VARIABLE DEPTH PAVEMENT PLANING WILL VARY IN DEPTH AND LOCATION. SEE THIS SHEET AND CROSS SECTIONS FOR DETAILS.

LEGEND
 = 8' WIDE VARIABLE DEPTH PAVEMENT PLANING. SEE TABLE FOR MILL DEPTH.
 NOTE: ALL SIDEWALK TO BE 3/16" CROSS SLOPE UNLESS OTHERWISE DENOTED ON THIS PLAN.

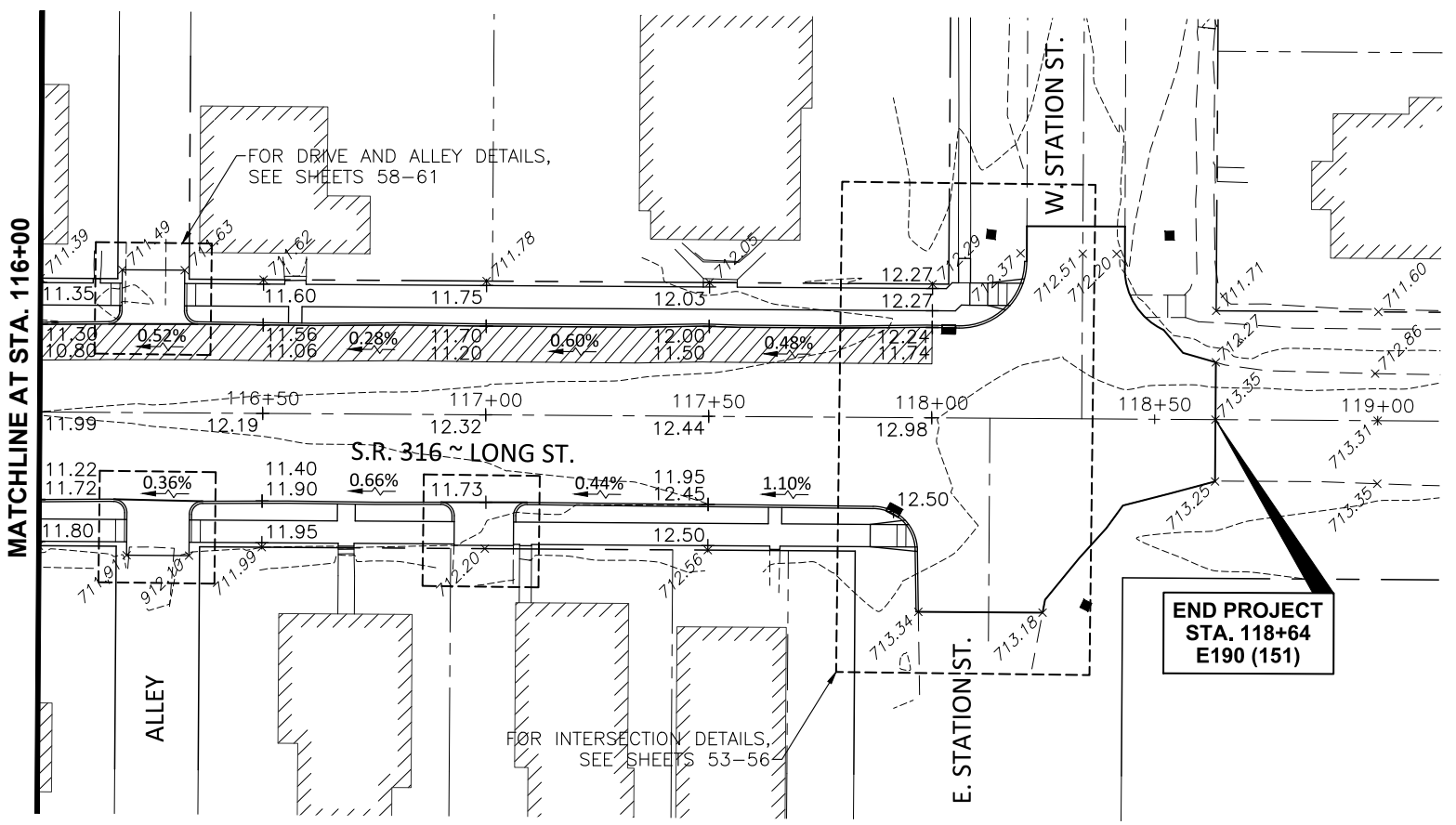
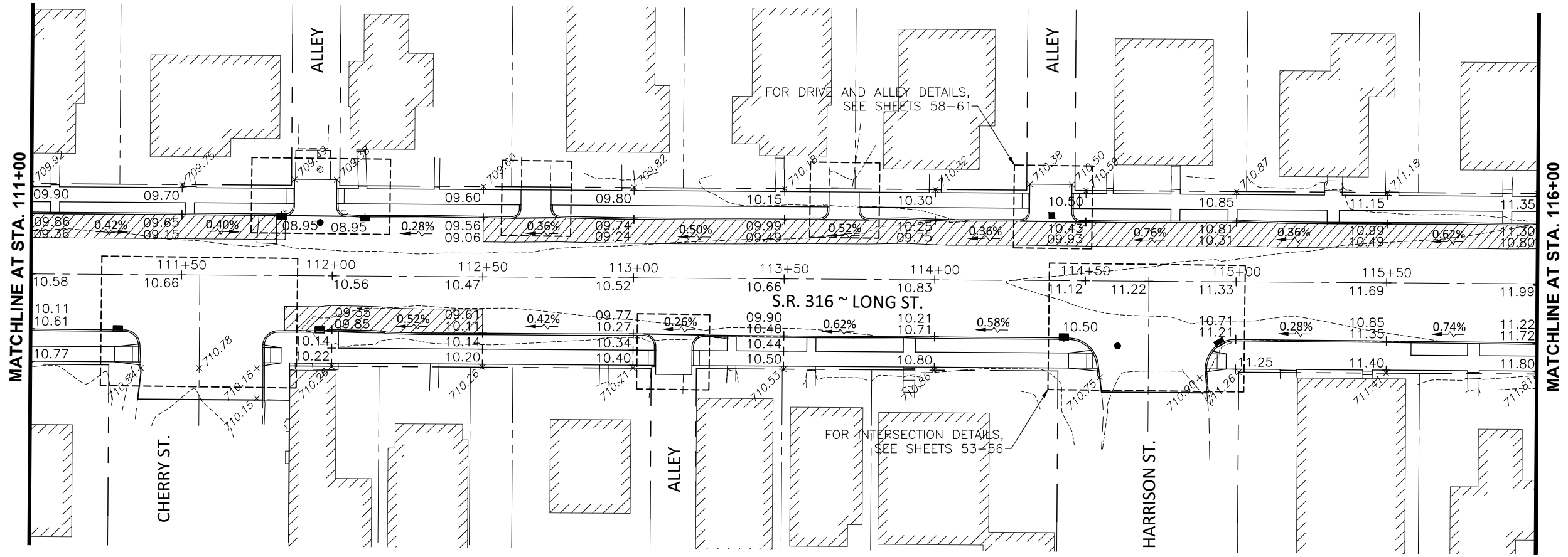
* SEE WRIGHT STREET INTERSECTION DETAIL FOR GRADING, SHEET 53.
 ** SEE PLUM STREET INTERSECTION DETAIL FOR GRADING, SHEET 55.



CALCULATED
 CHECKED

GRADING PLAN
STA. 101+00 TO STA. 111+00

PIC-316 - 13.05-13.68
PART 2



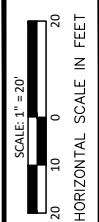
VARIABLE DEPTH PAVEMENT PLANING TABLE					
C/L STATION	MILL DEPTH (LT)	MILL DEPTH (RT)	C/L STATION	MILL DEPTH (LT)	MILL DEPTH (RT)
110+50	0.00' (BEGIN)		114+50	0.30'	
111+00	0.30'		114+71	**	
111+50	0.30'		115+00	0.20'	
111+84	*	*	115+00	0.20'	
112+00		0.40'	116+00	0.20'	
112+10	0.00' (BEGIN)		116+50	0.15'	
112+50	0.25'	0.00' (END)	117+00	0.15'	
113+00	0.35'		117+50	0.00'	
113+50	0.20'		118+00	0.50'	
114+00	0.25'		118+34	***	

* SEE CHERRY STREET INTERSECTION DETAIL FOR GRADING, SHEET 56.
 ** SEE HARRISON STREET INTERSECTION DETAIL FOR GRADING, SHEET 56.
 *** SEE STATION STREET INTERSECTION DETAIL FOR GRADING, SHEET 56.

NOTE: FOR GRADING PURPOSES AND TO ACHIEVE PROPER CURB HEIGHT THROUGHOUT THIS PROJECT, VARIABLE DEPTH PAVEMENT PLANING WILL TAKE PLACE PRIOR TO THE FINAL 1/2" MILL AND OVERLAY. THE 8' WIDE VARIABLE DEPTH PAVEMENT PLANING WILL VARY IN DEPTH AND LOCATION. SEE THIS SHEET AND CROSS SECTIONS FOR DETAILS.

LEGEND
 = 8' WIDE VARIABLE DEPTH PAVEMENT PLANING. SEE TABLE FOR MILL DEPTH.

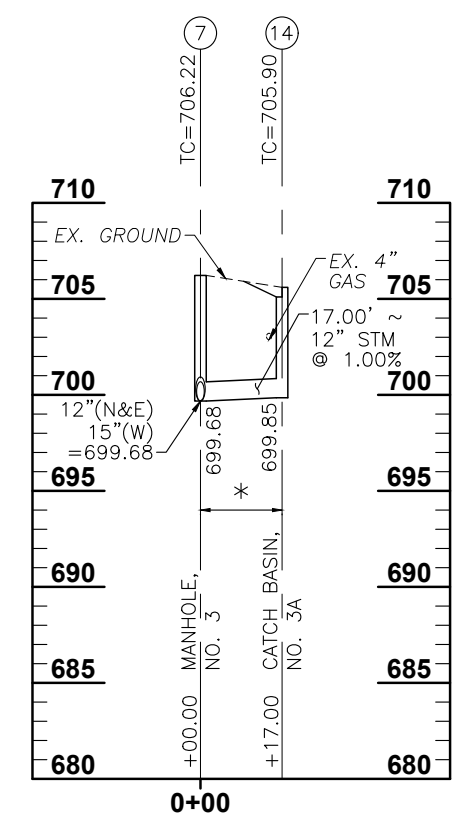
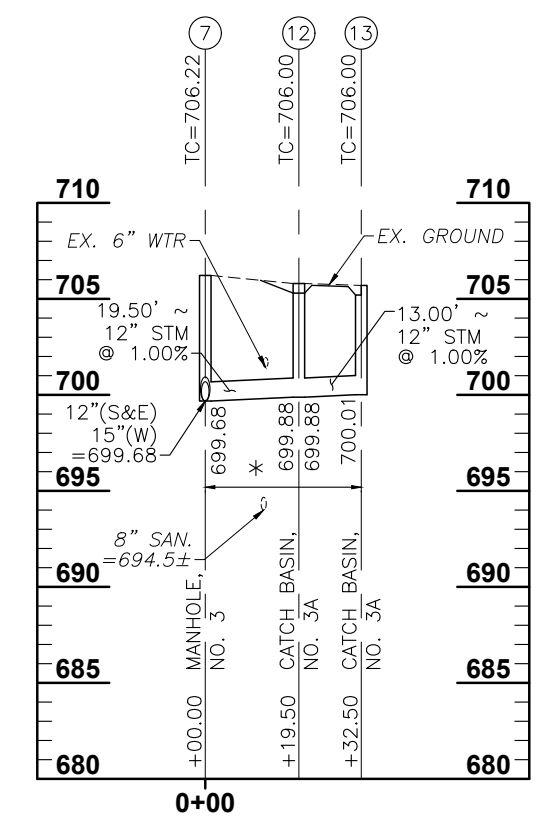
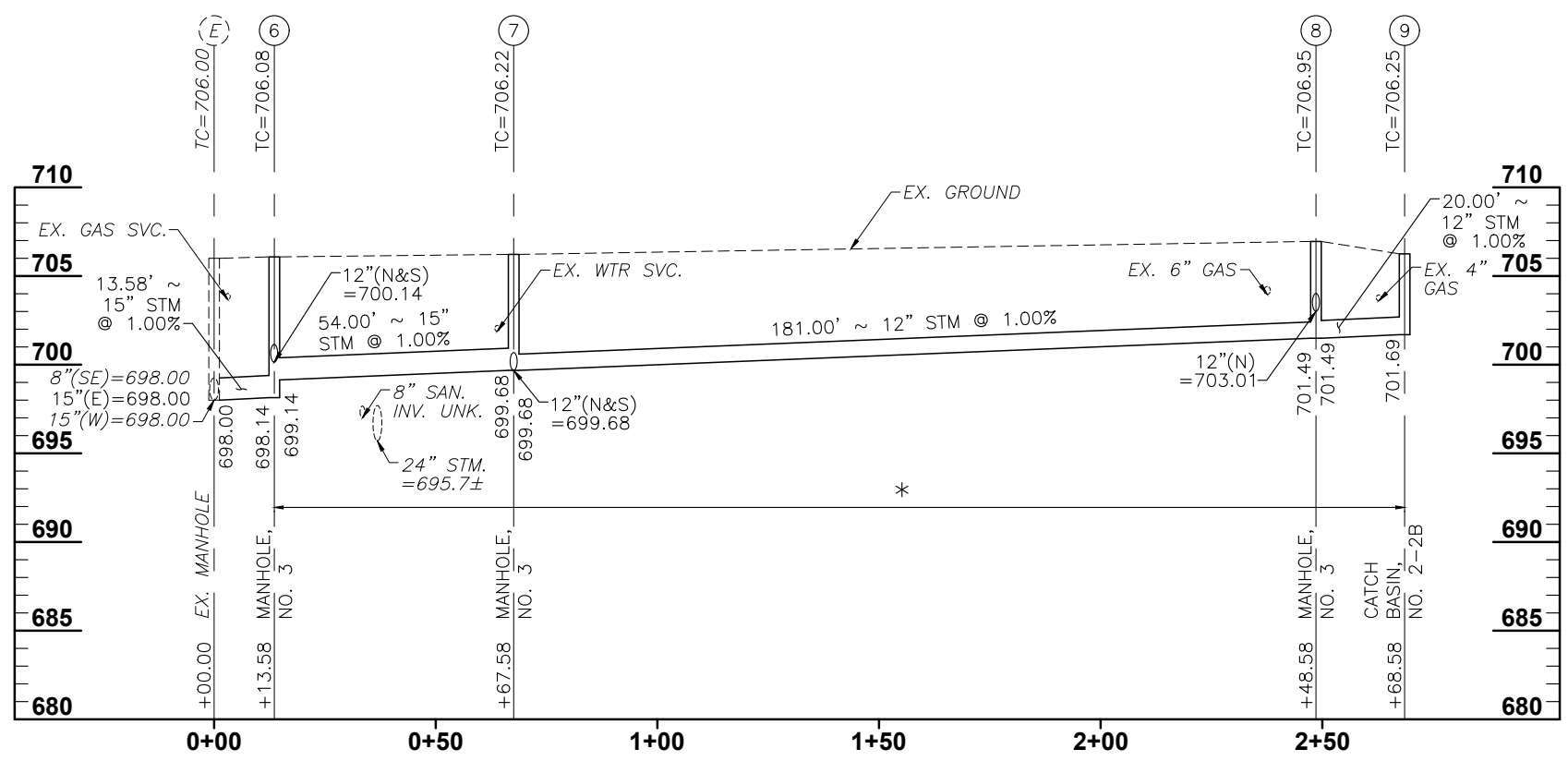
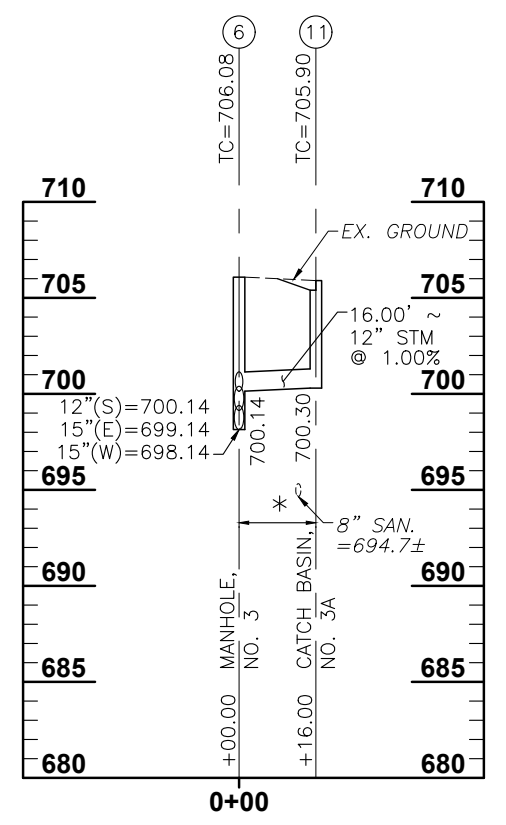
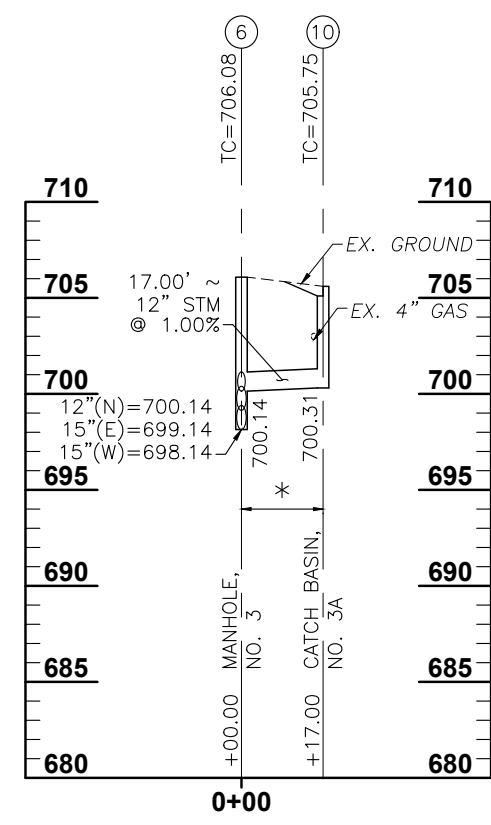
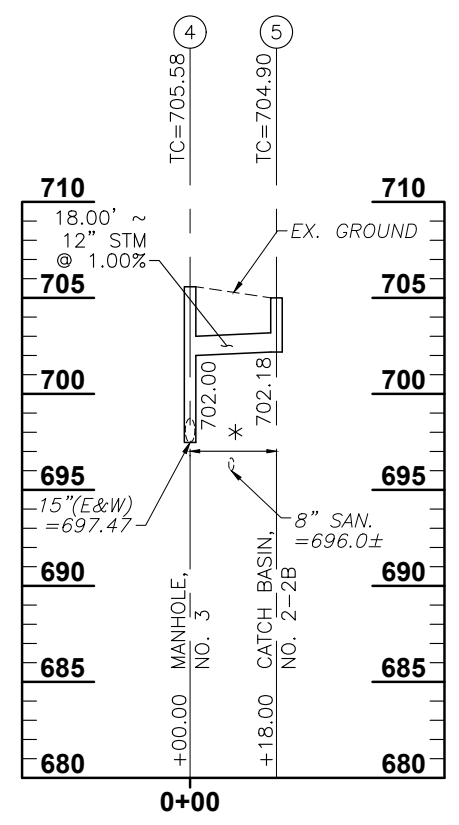
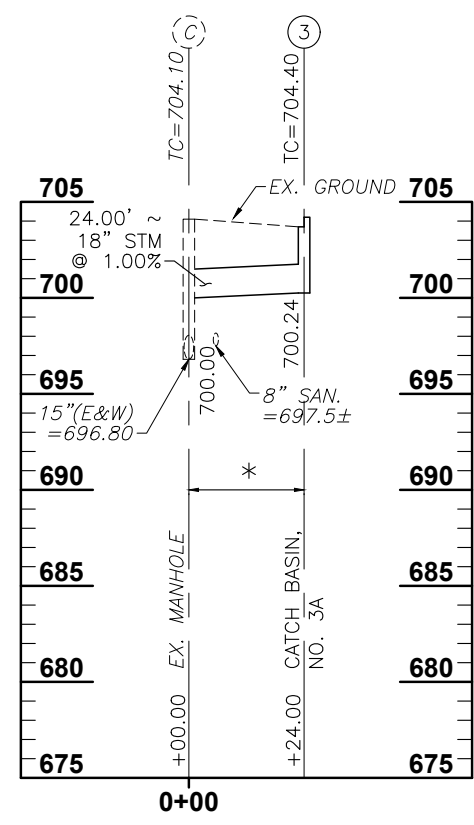
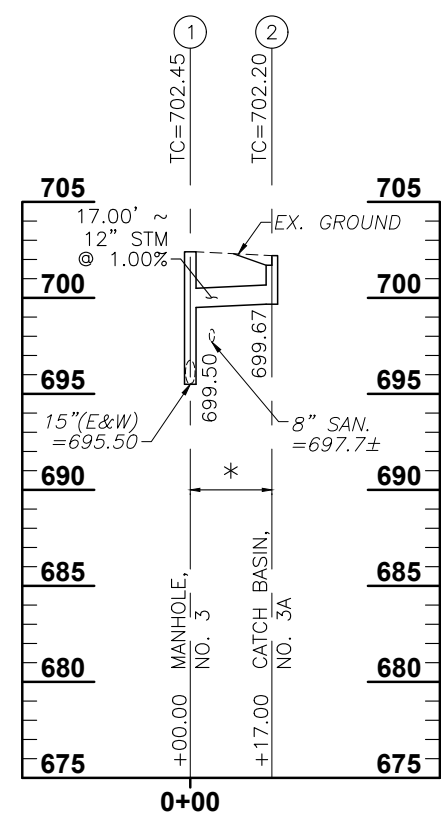
NOTE: ALL SIDEWALK TO BE 3/8" CROSS SLOPE UNLESS OTHERWISE DENOTED ON THIS PLAN.



CALCULATED
CHECKED

STORM SEWER PROFILES

PIC-316 - 13.05-13.68
PART 2

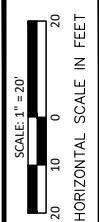


NOTE
ITEM 611, CONDUIT TYPE B, AS PER PLAN;
ALL CONDUIT 12", 15" AND 18" SHALL BE
TYPE B, 706.02 OR 707.33.

* = ALL STORM SEWER SHALL BE TYPE B
CONDUIT, REINFORCED CONCRETE
CIRCULAR PIPE, 706.02

NOTE:
MAINTAIN MINIMUM OF 10'-0" HORIZONTAL
(OUT-TO-OUT) AND 1'-6" VERTICAL
CLEARANCE FROM ALL WATER LINES.

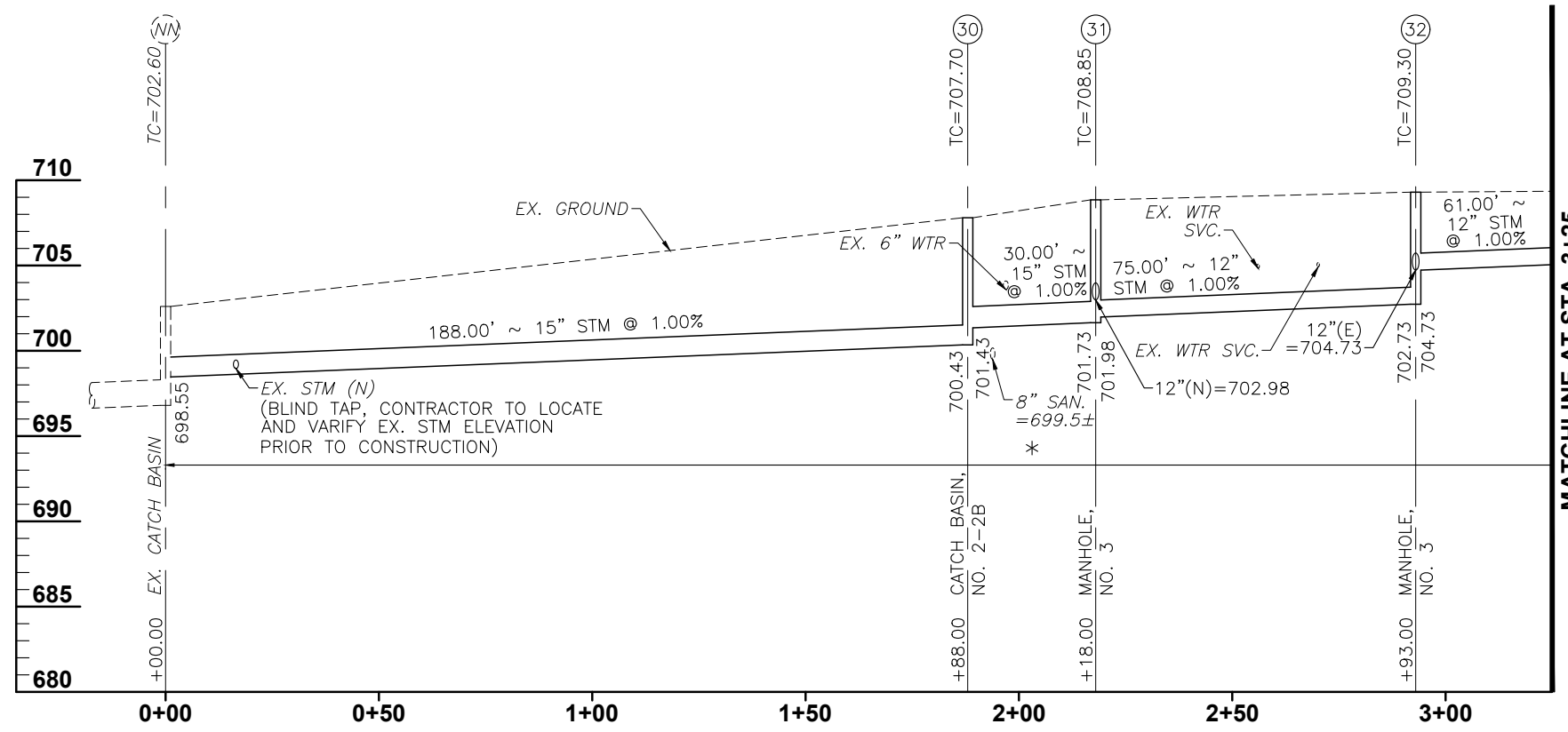
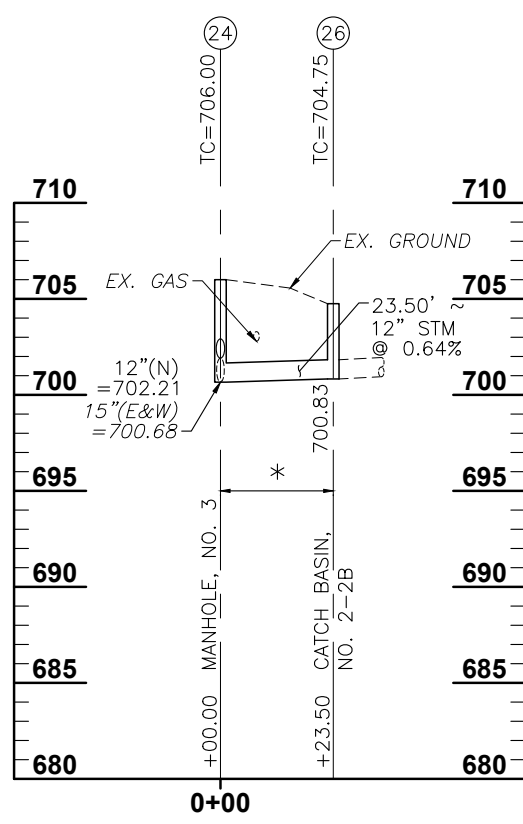
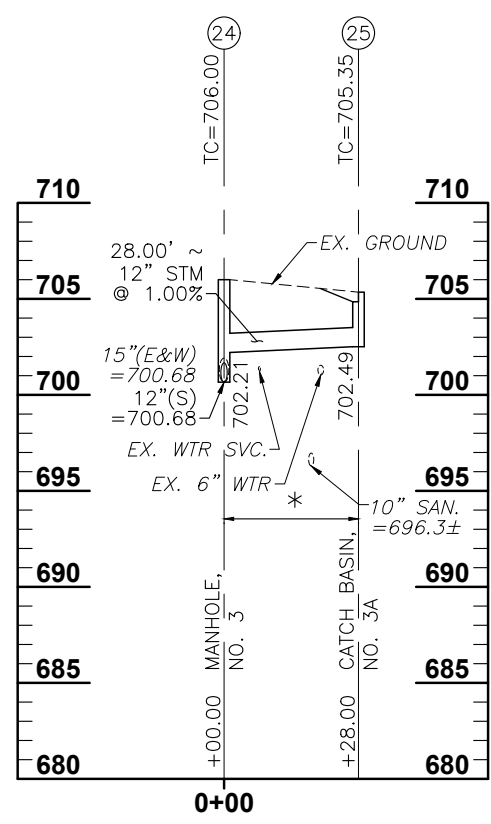
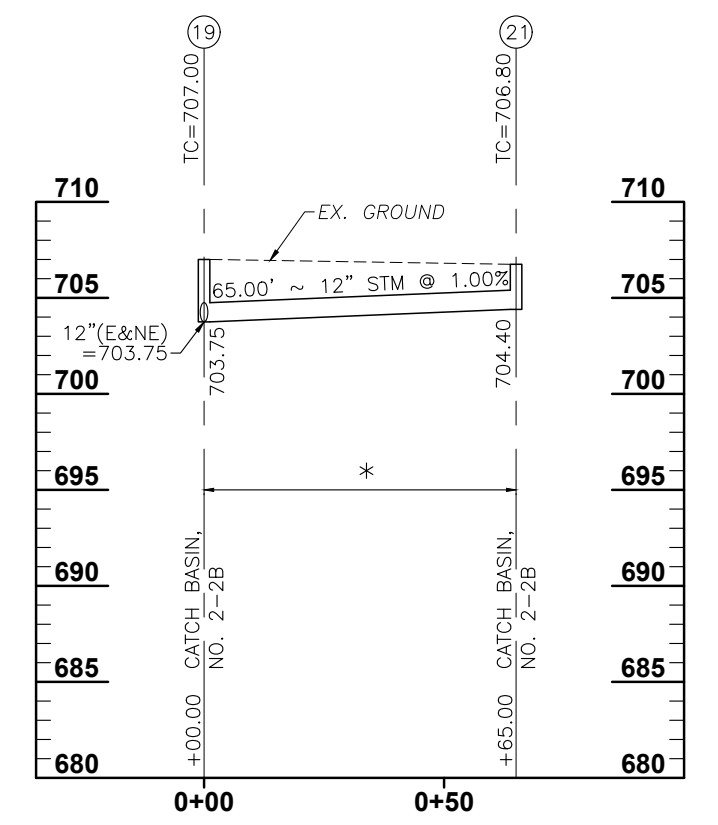
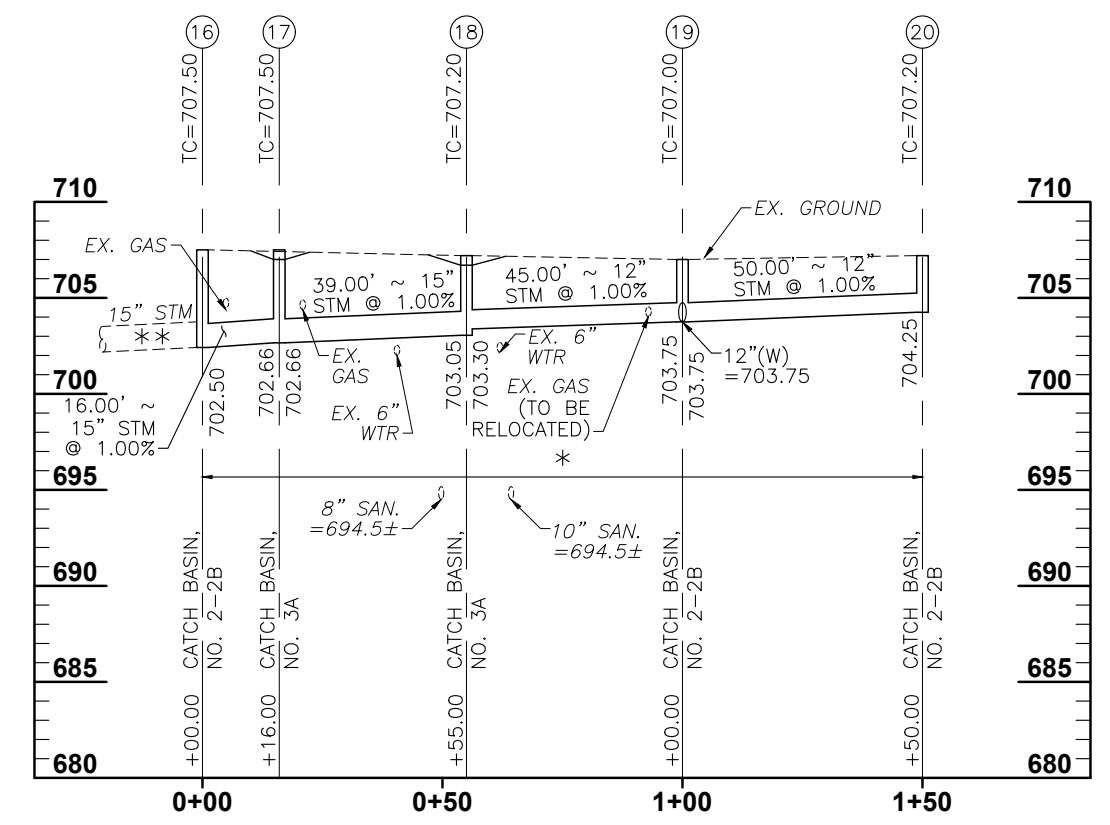
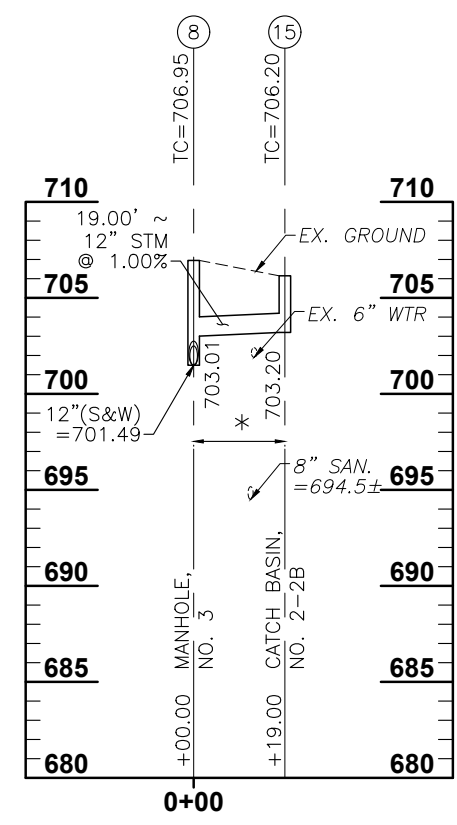
SCALE: HORIZ: 1" = 20'
VERT: 1" = 5'



CALCULATED
CHECKED

STORM SEWER PROFILES

PIC-316 - 13.05-13.68
PART 2



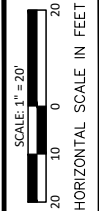
NOTE
ITEM 611, CONDUIT TYPE B, AS PER PLAN:
ALL CONDUIT 12", 15" AND 18" SHALL BE
TYPE B, 706.02 OR 707.33.

* = ALL STORM SEWER SHALL BE TYPE B CONDUIT,
REINFORCED CONCRETE CIRCULAR PIPE, 706.02
** = STORM SEWER INVERT IS UNKNOWN, CONTRACTOR TO
FIELD VERIFY ELEVATION PRIOR TO CONSTRUCTION.

NOTE:
MAINTAIN MINIMUM OF 10'-0" HORIZONTAL
(OUT-TO-OUT) AND 1'-6" VERTICAL
CLEARANCE FROM ALL WATER LINES.

SCALE: HORIZ: 1" = 20'
VERT: 1" = 5'

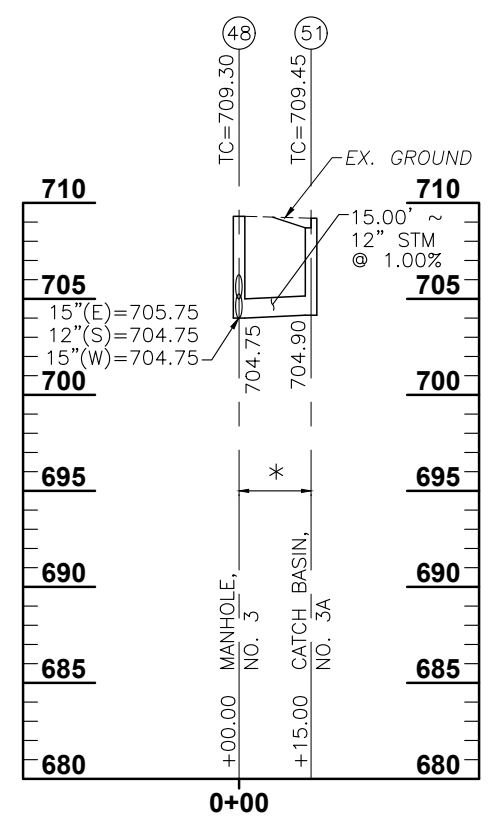
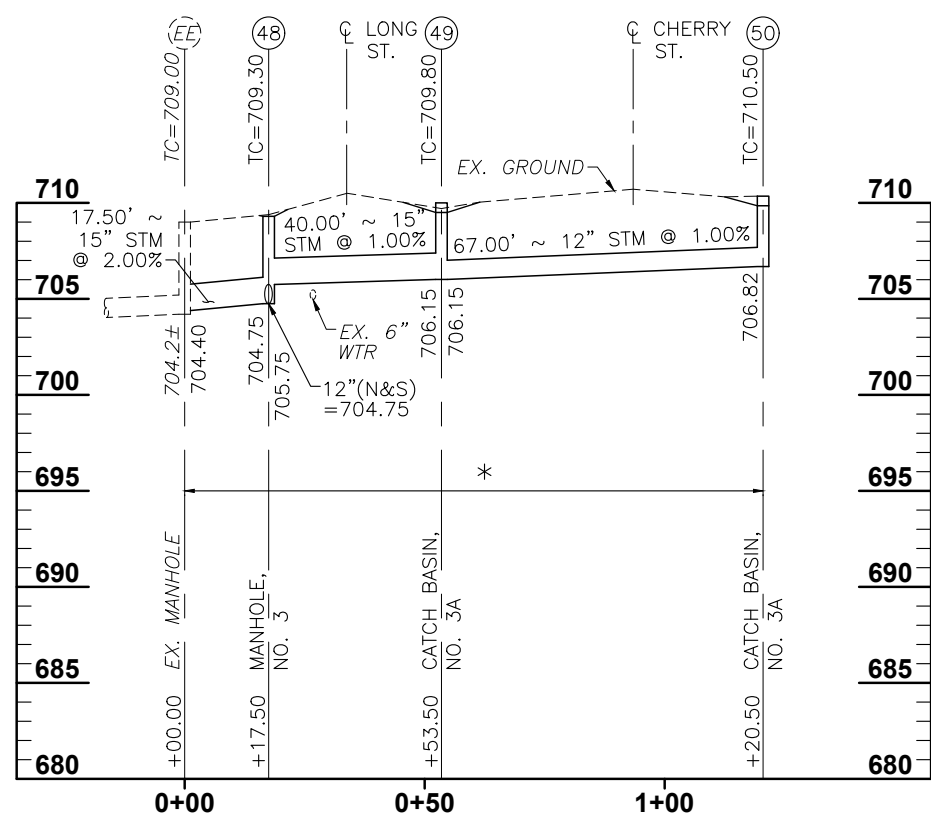
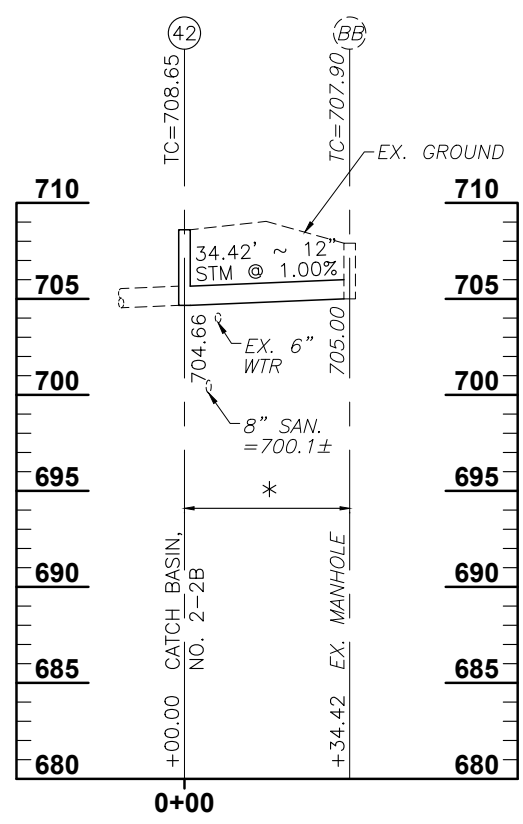
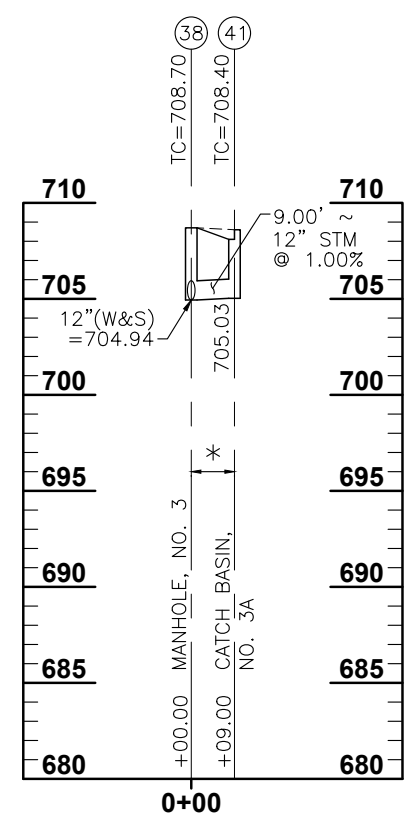
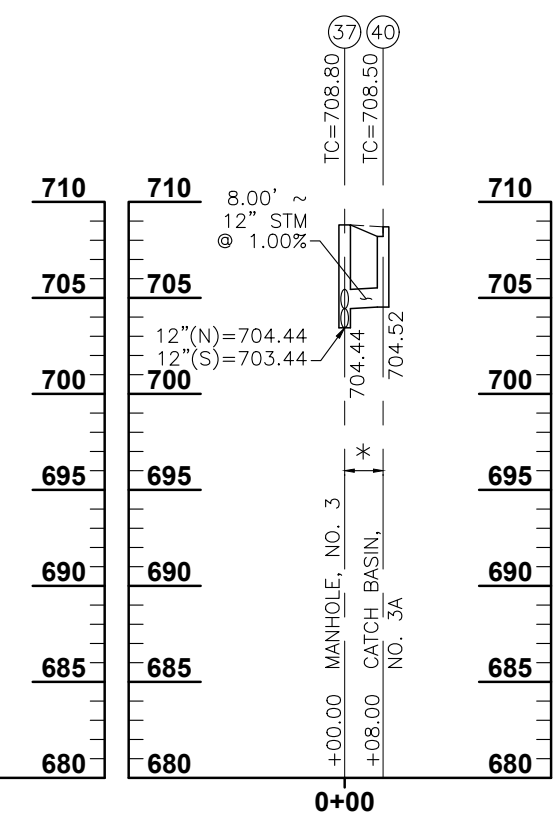
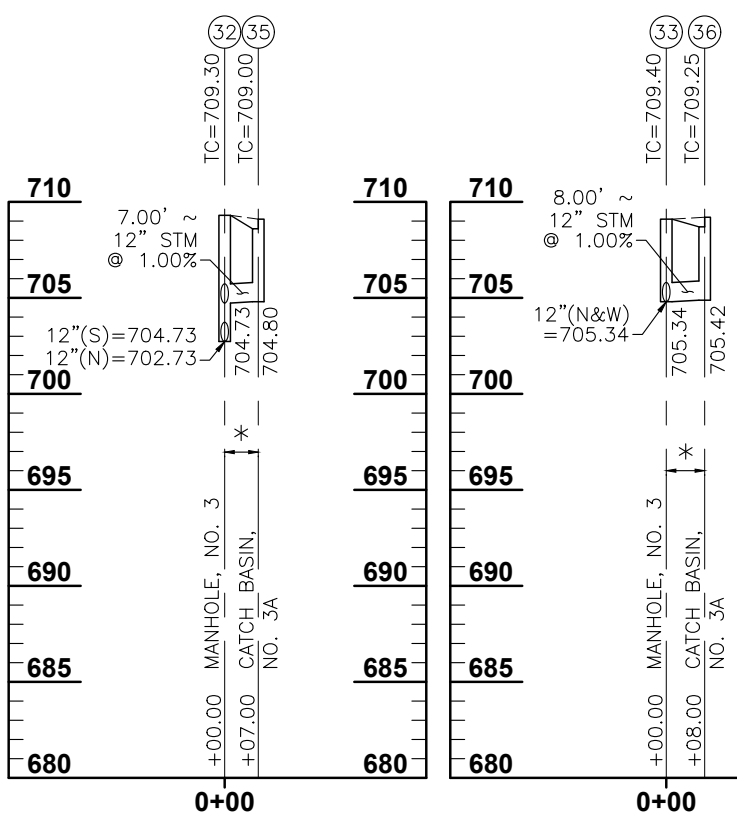
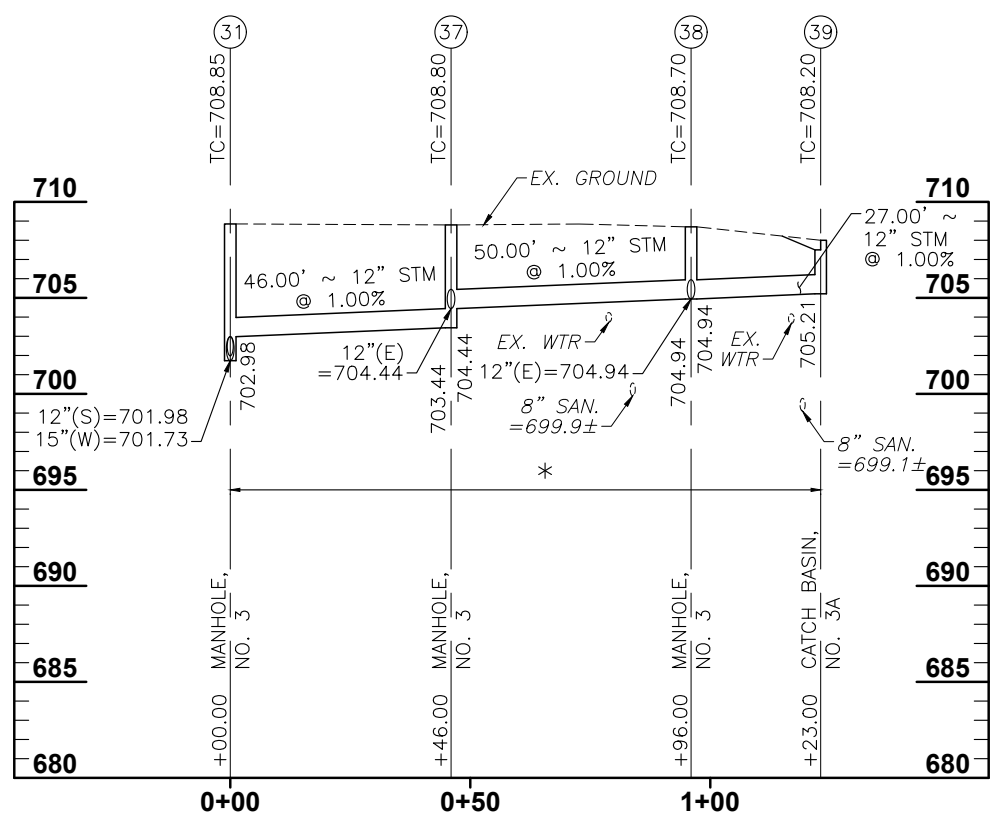
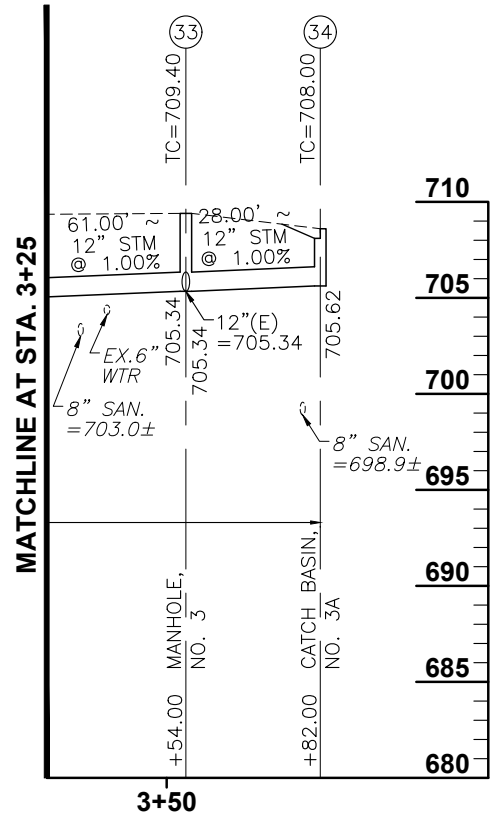
MATCHLINE AT STA. 3+25



CALCULATED
CHECKED

STORM SEWER PROFILES

**PIC-316 - 13.05-13.68
PART 2**

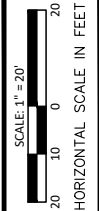


NOTE
ITEM 611, CONDUIT TYPE B, AS PER PLAN;
ALL CONDUIT 12", 15" AND 18" SHALL BE
TYPE B, 706.02 OR 707.33.

* = ALL STORM SEWER SHALL BE TYPE B
CONDUIT, REINFORCED CONCRETE
CIRCULAR PIPE, 706.02

NOTE:
MAINTAIN MINIMUM OF 10'-0" HORIZONTAL
(OUT-TO-OUT) AND 1'-6" VERTICAL
CLEARANCE FROM ALL WATER LINES.

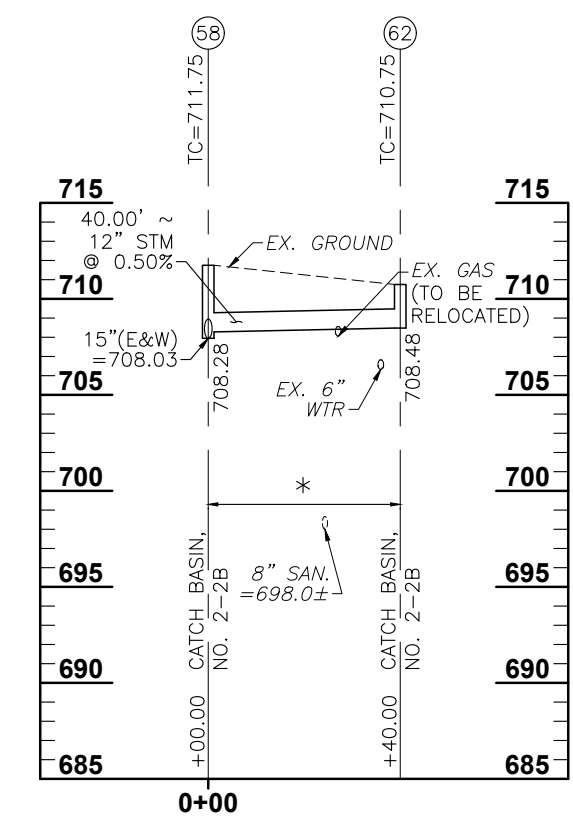
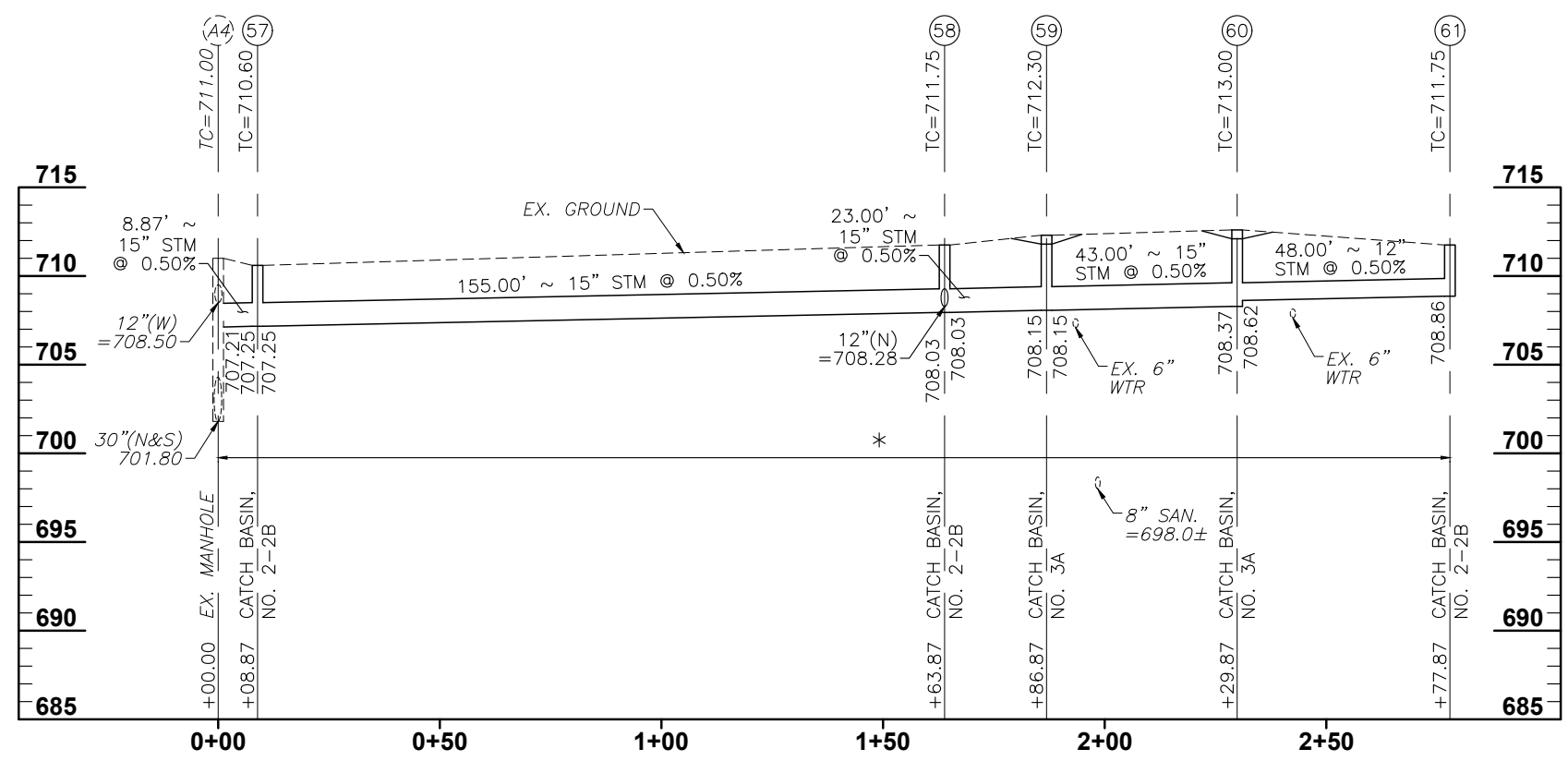
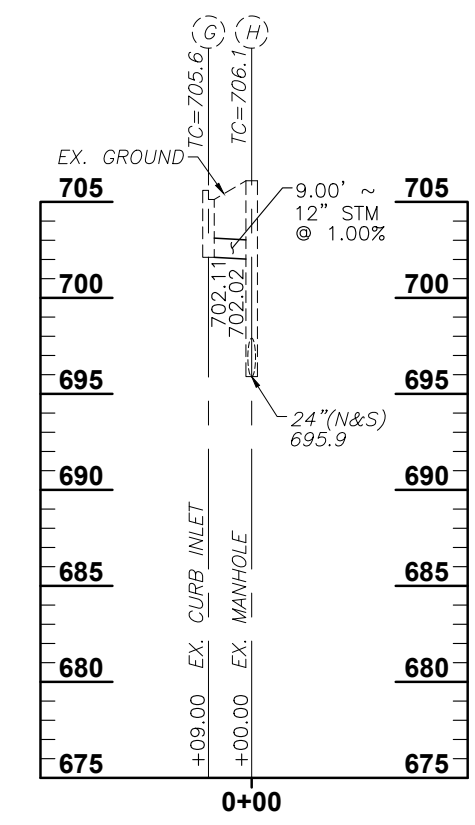
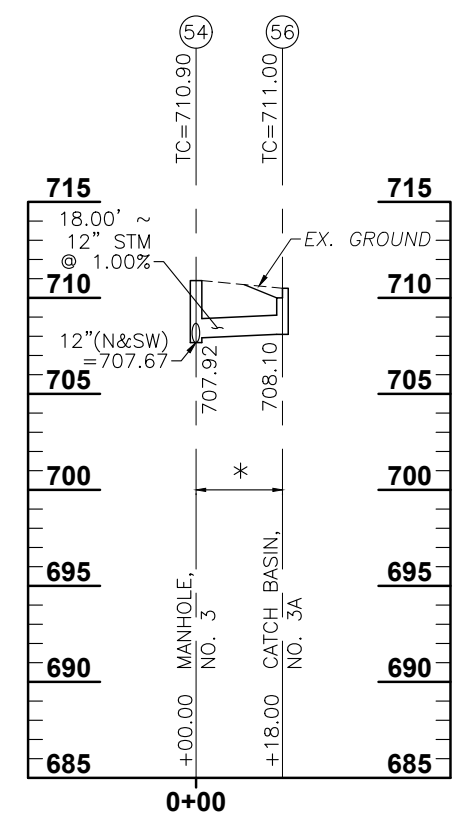
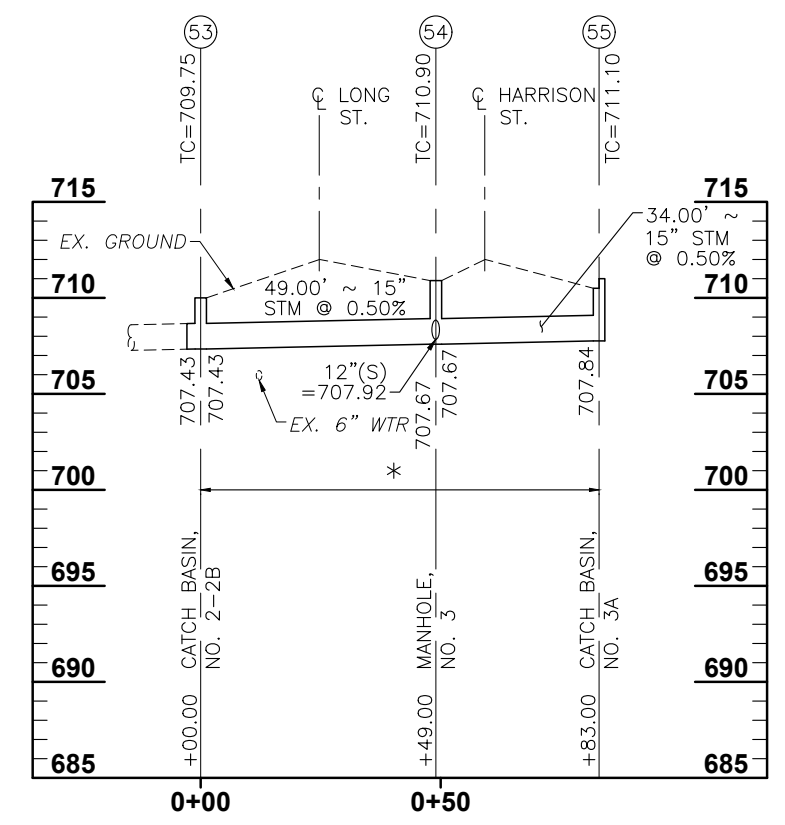
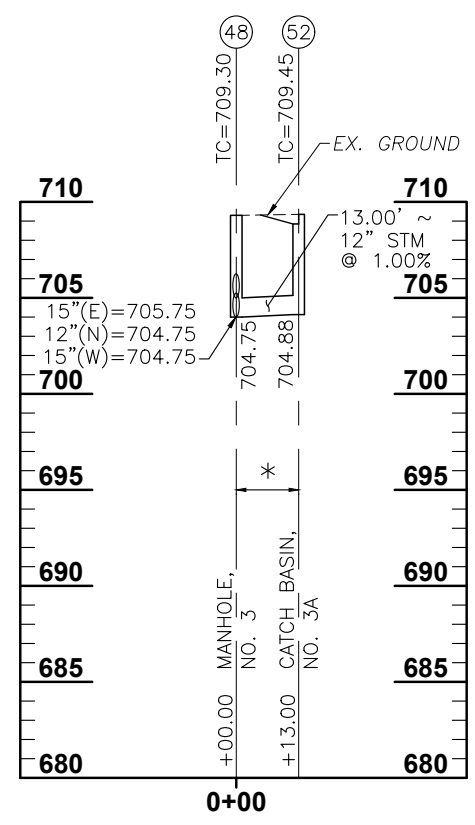
SCALE: HORIZ: 1" = 20'
VERT: 1" = 5'



CALCULATED
CHECKED

STORM SEWER PROFILES

PIC-316 - 13.05-13.68
PART 2

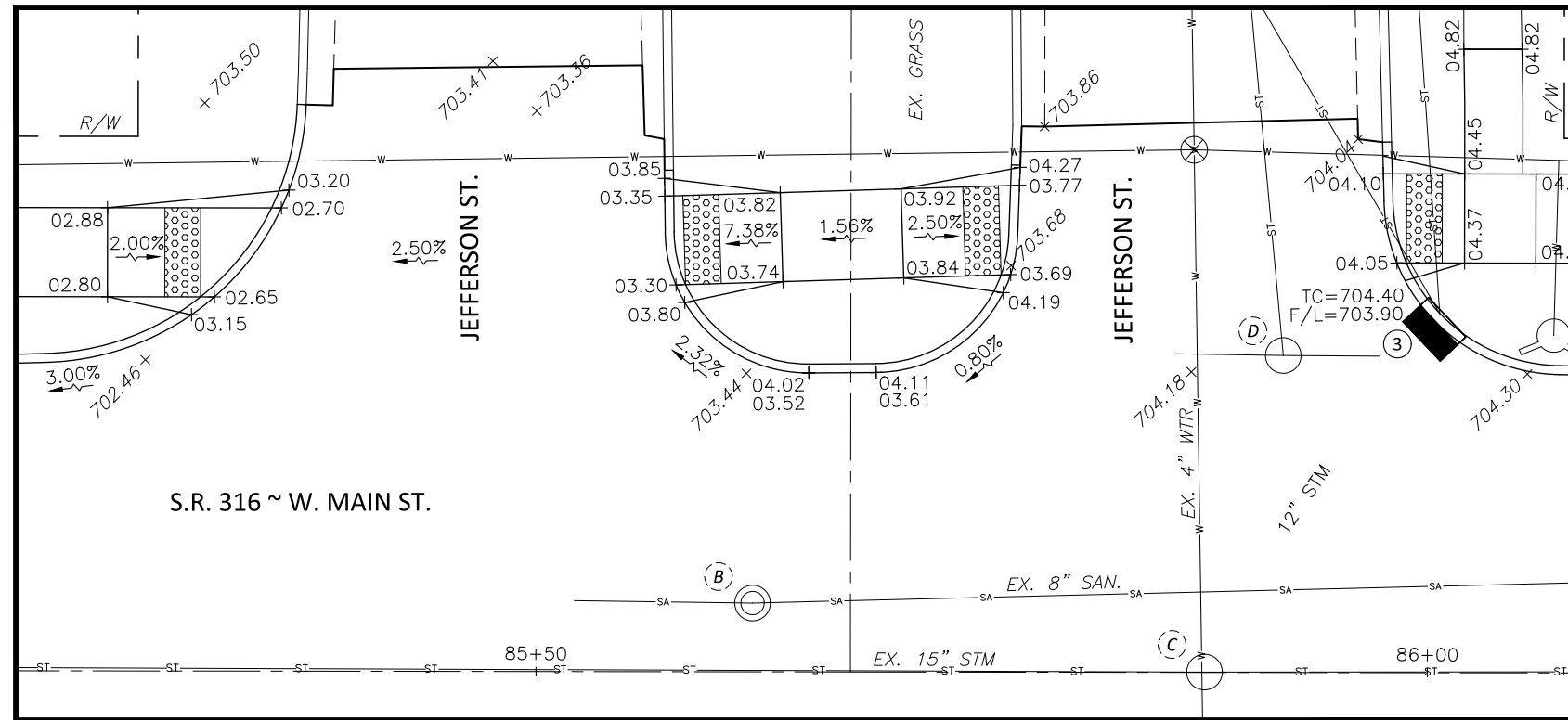


NOTE
ITEM 611, CONDUIT TYPE B, AS PER PLAN;
ALL CONDUIT 12", 15" AND 18" SHALL BE
TYPE B, 706.02 OR 707.33.

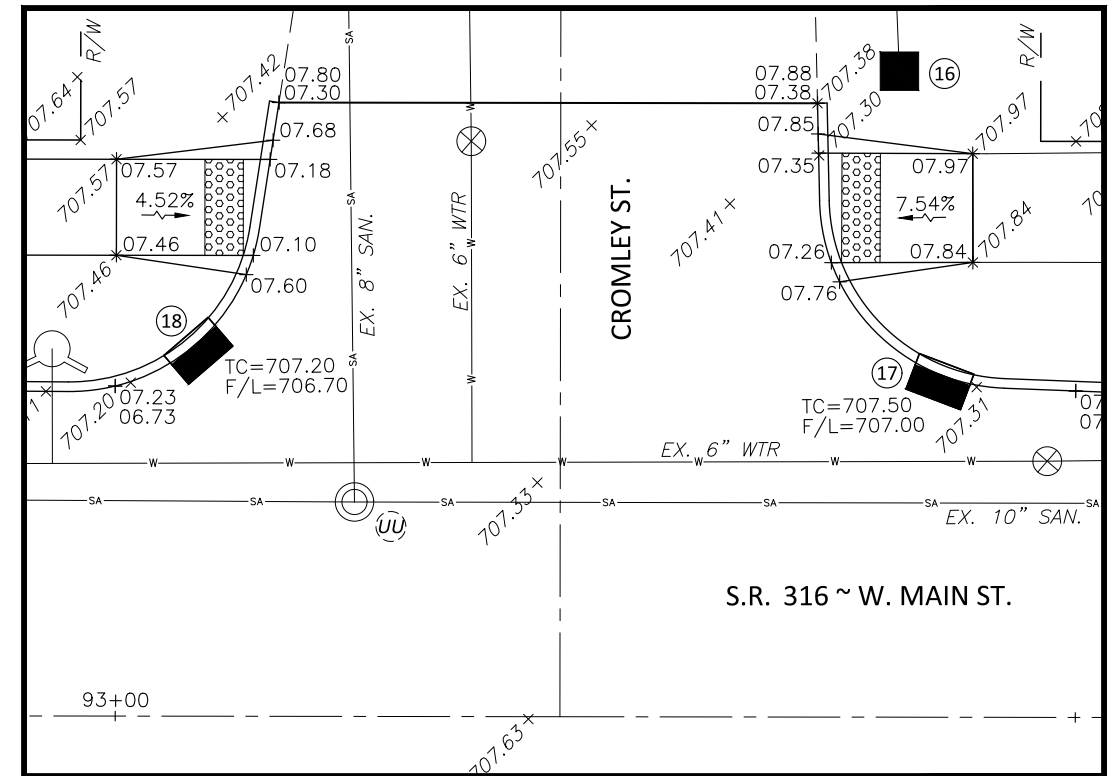
* = ALL STORM SEWER SHALL BE TYPE B
CONDUIT, REINFORCED CONCRETE
CIRCULAR PIPE, 706.02

NOTE:
MAINTAIN MINIMUM OF 10'-0" HORIZONTAL
(OUT-TO-OUT) AND 1'-6" VERTICAL
CLEARANCE FROM ALL WATER LINES.

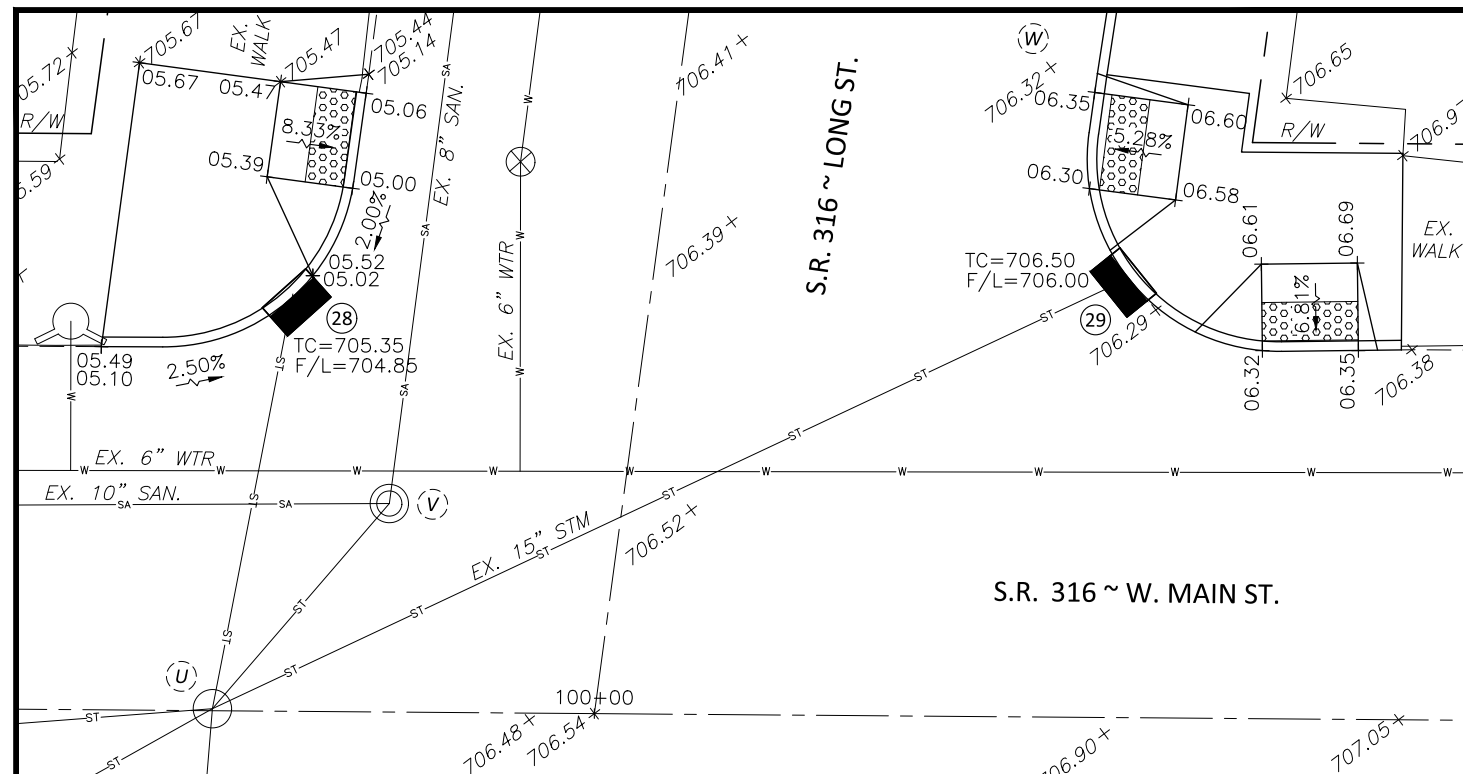
SCALE: HORIZ: 1" = 20'
VERT: 1" = 5'



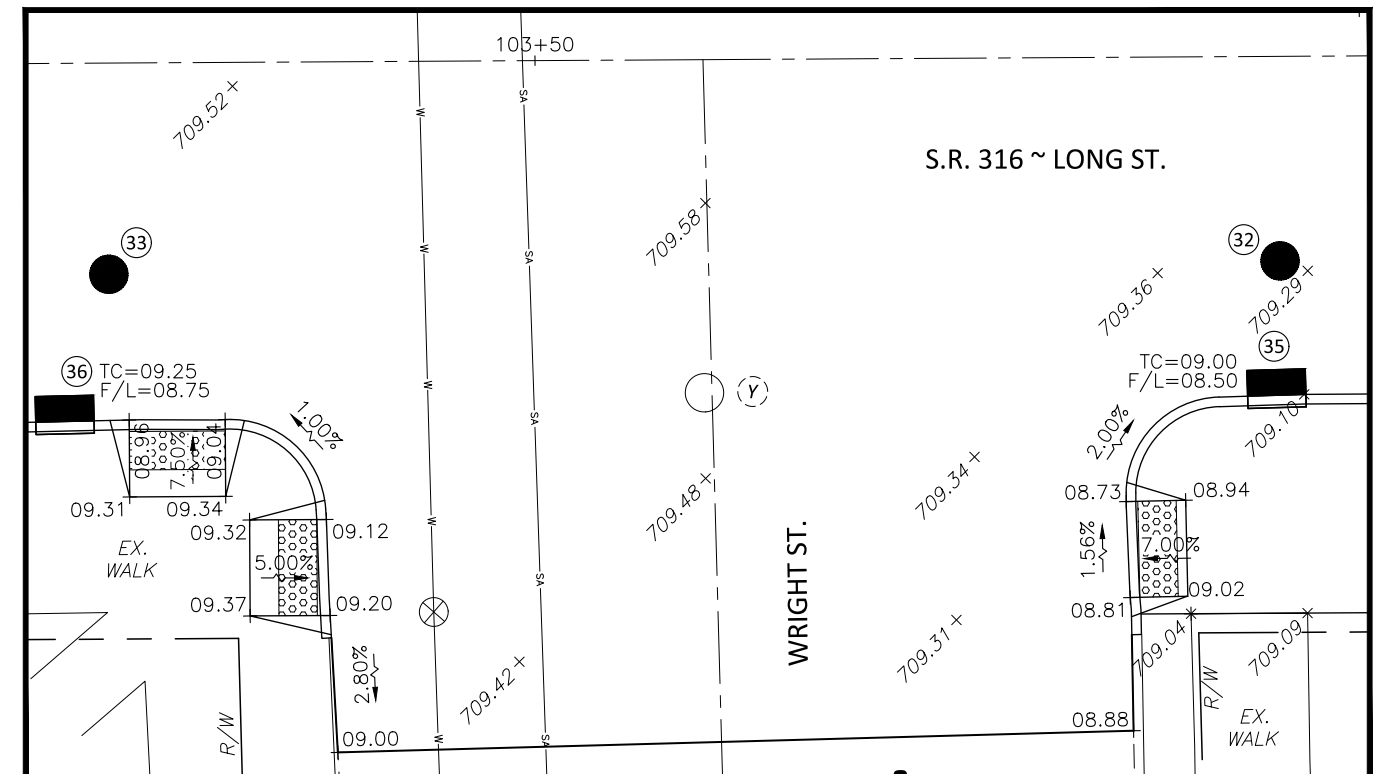
JEFFERSON AVENUE AND S.R. 316 (W. MAIN STREET)



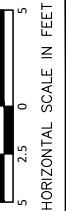
CROMLEY STREET AND S.R. 316 (W. MAIN STREET)



S.R. 316 (W. MAIN STREET AND LONG STREET)



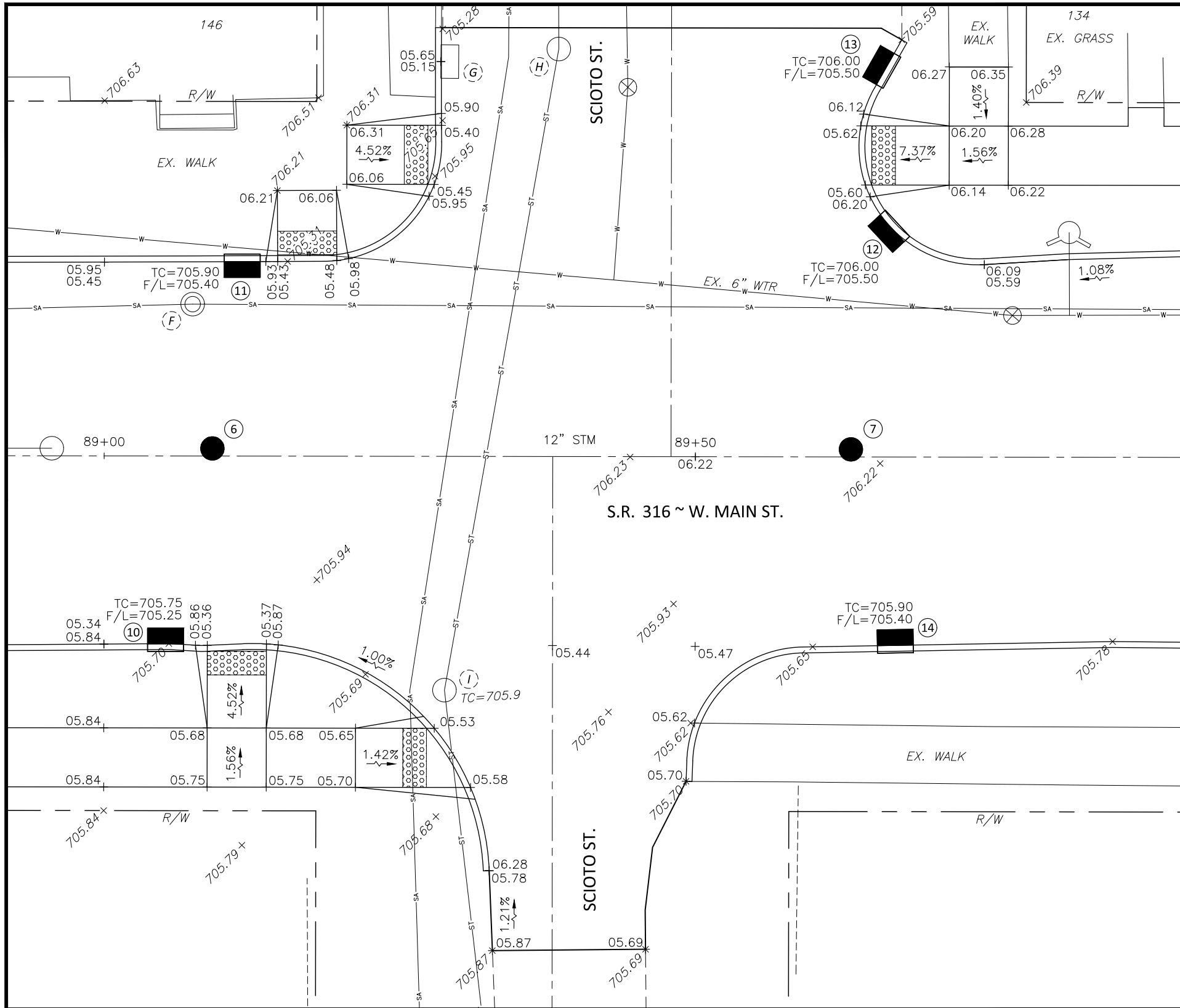
WRIGHT STREET AND S.R. 316 (LONG STREET)



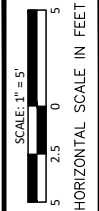
CALCULATED
CHECKED

INTERSECTION DETAILS

**PIC-316 - 13.05-13.68
PART 2**



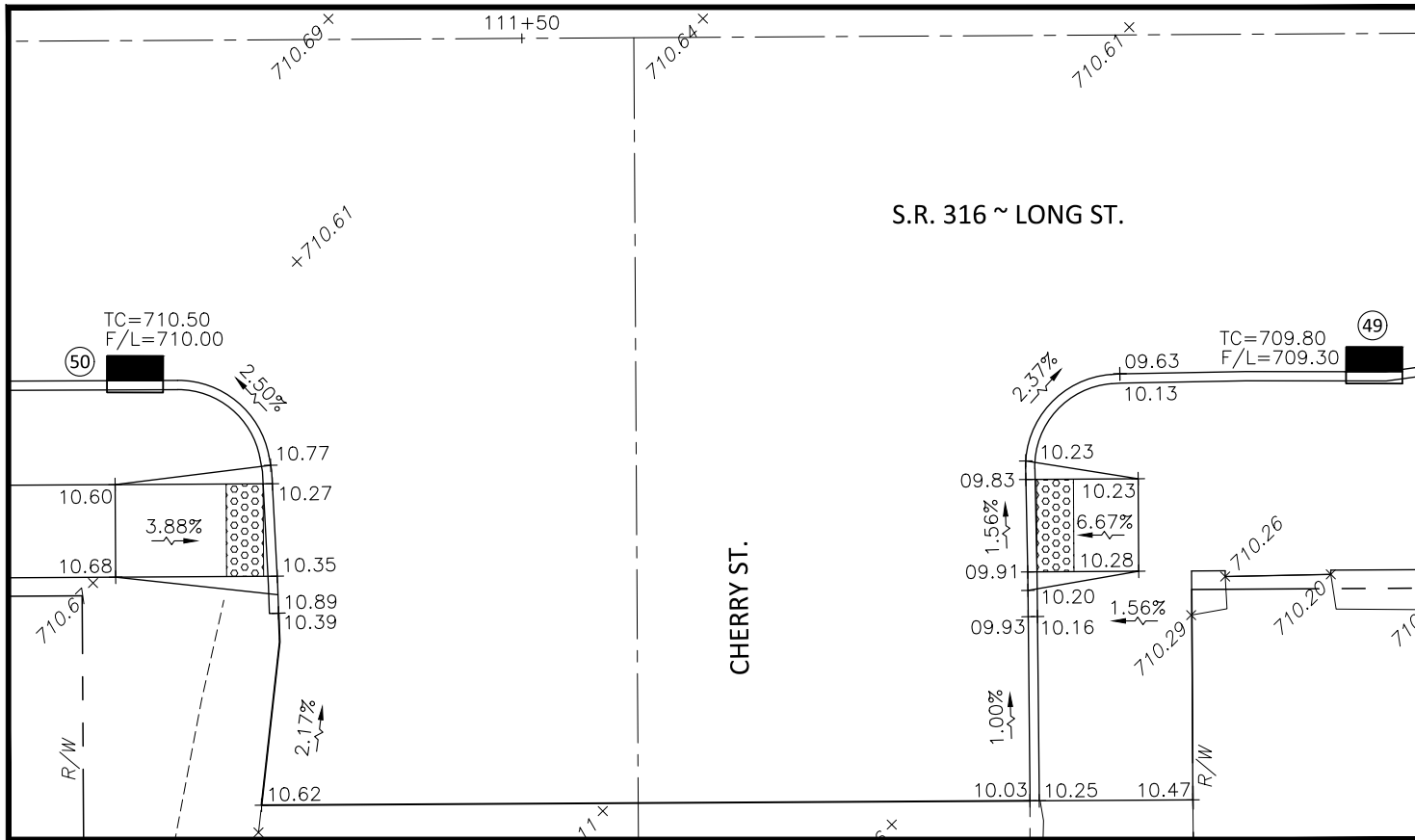
SCIOTO STREET AND S.R. 316 (MAIN STREET)



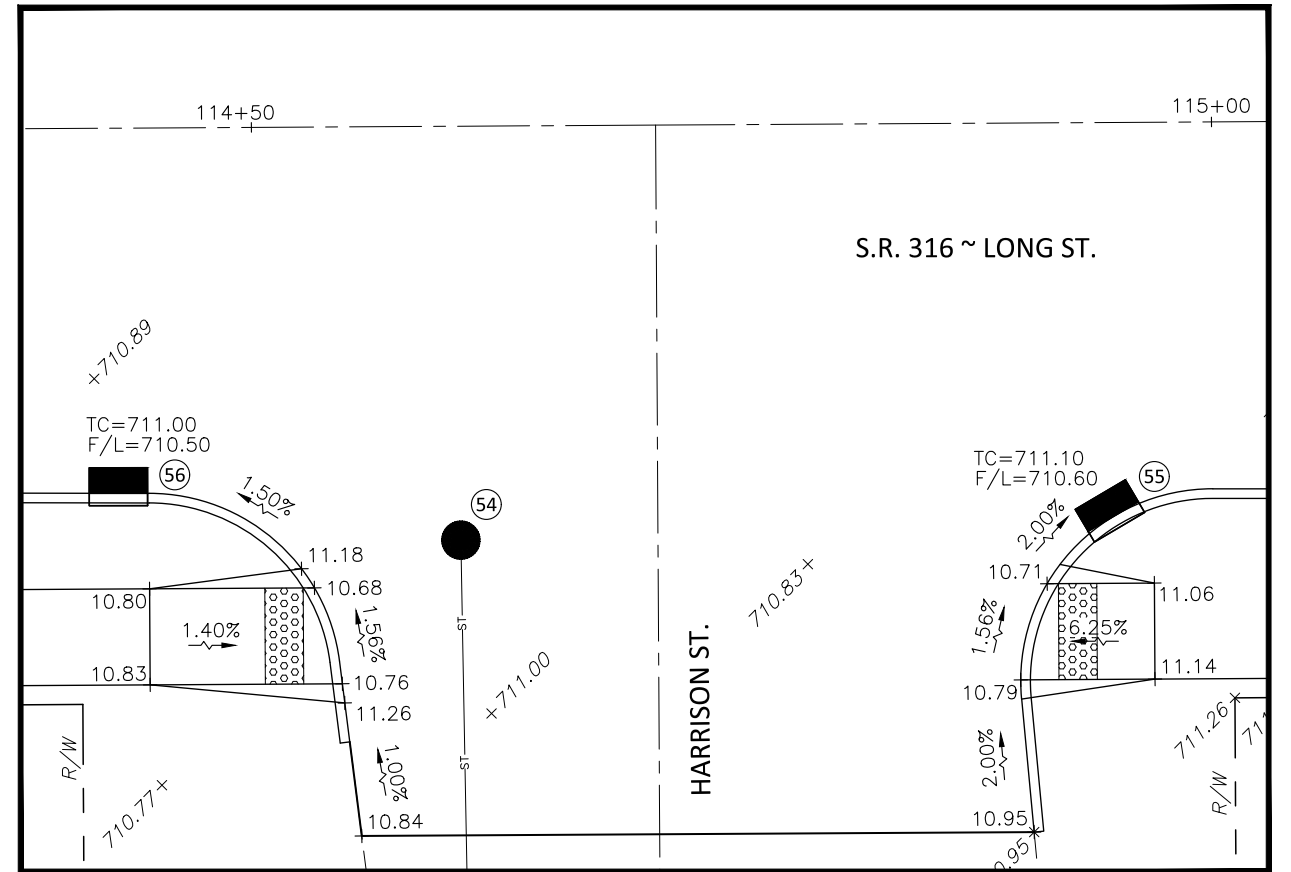
CALCULATED
CHECKED

INTERSECTION DETAILS

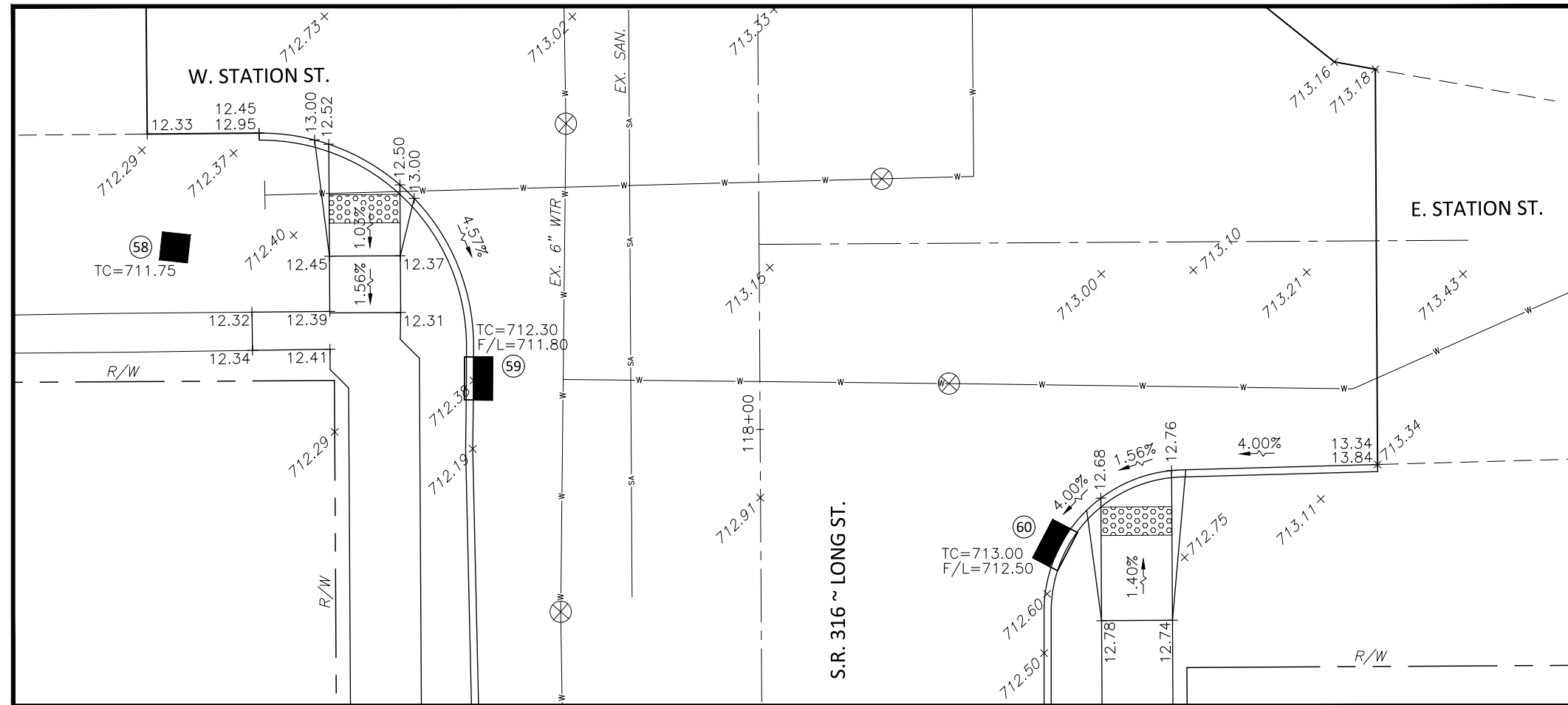
PIC-316 - 13.05-13.68
PART 2



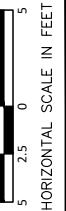
CHERRY STREET AND S.R. 316 (LONG STREET)



HARRISON STREET AND S.R. 316 (LONG STREET)



STATION STREET AND S.R. 316 (LONG STREET)

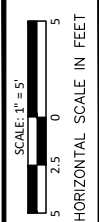


CALCULATED
CHECKED

INTERSECTION DETAILS

**PIC-316 - 13.05-13.68
PART 2**

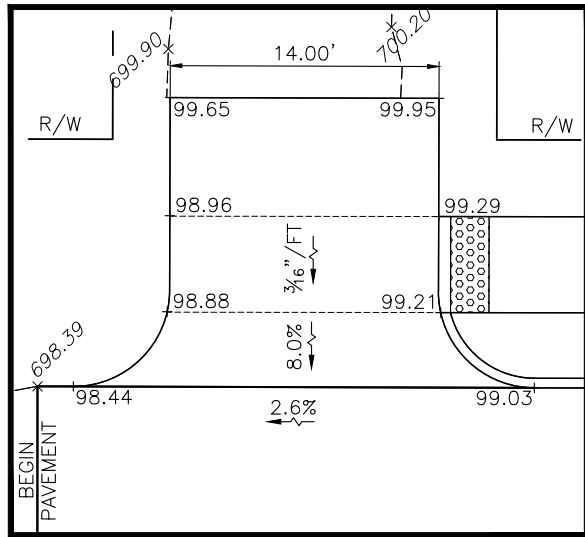
56
66



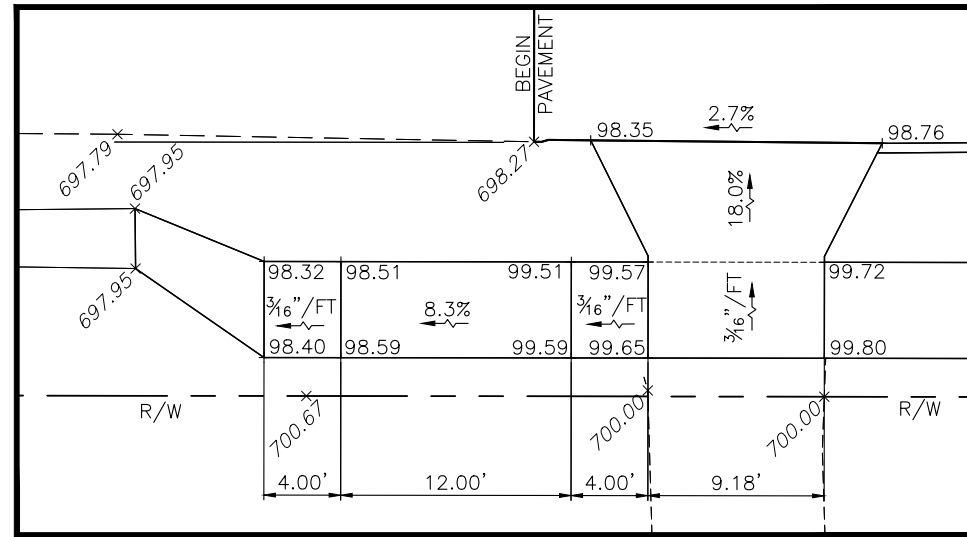
CALCULATED
CHECKED

DRIVE AND ALLEY DETAILS

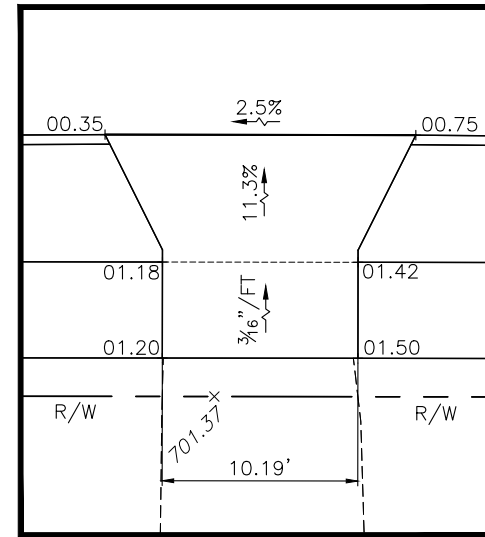
PIC-316 - 13.05-13.68
PART 2



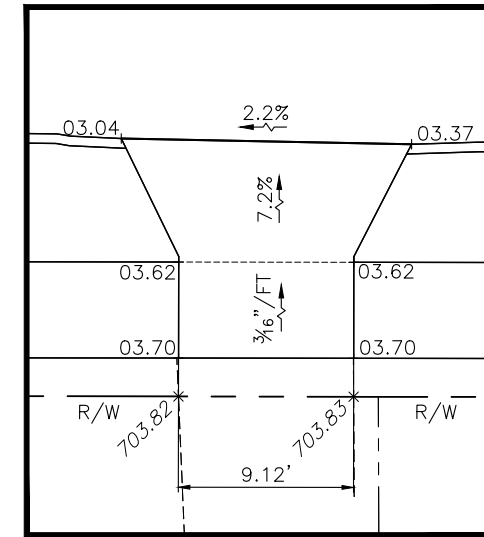
(DR-1) ALLEY
STA. 83+77 LT



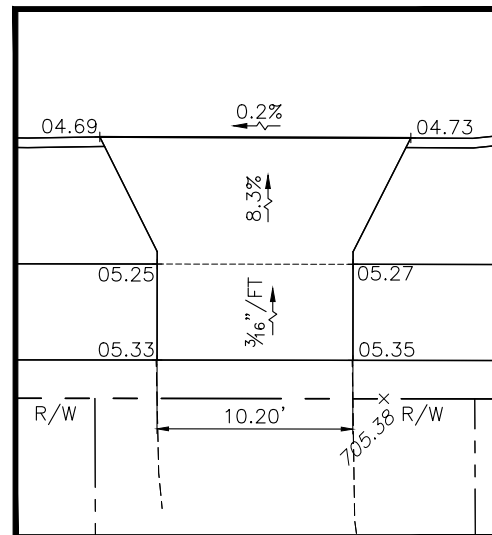
(DR-2) RESIDENTIAL DRIVE
STA. 83+74 RT



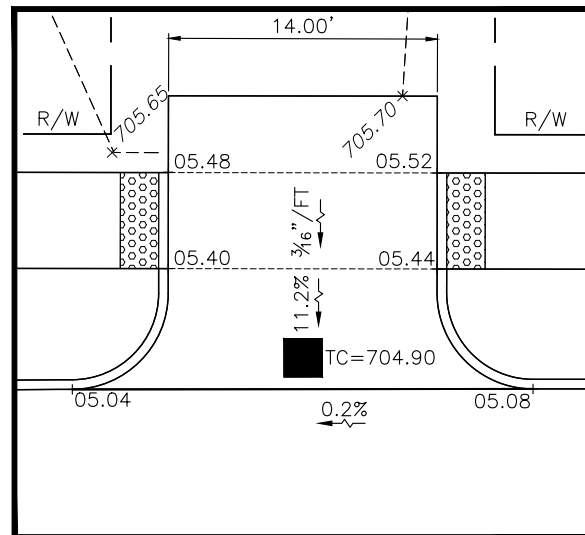
(DR-3) RESIDENTIAL DRIVE
STA. 84+52 RT.



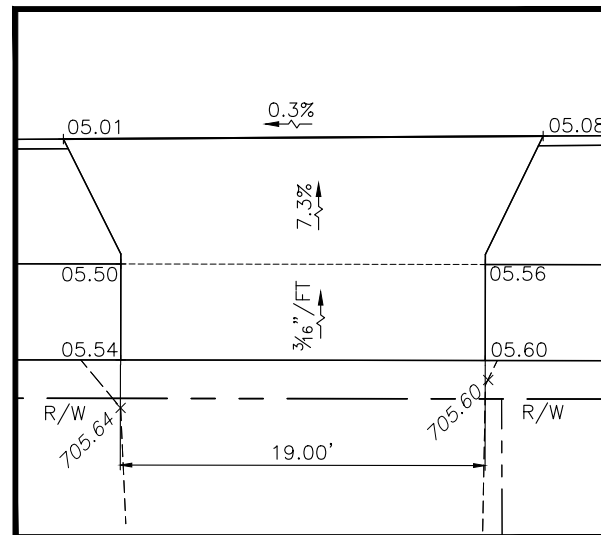
(DR-4) RESIDENTIAL DRIVE
STA. 85+61 RT



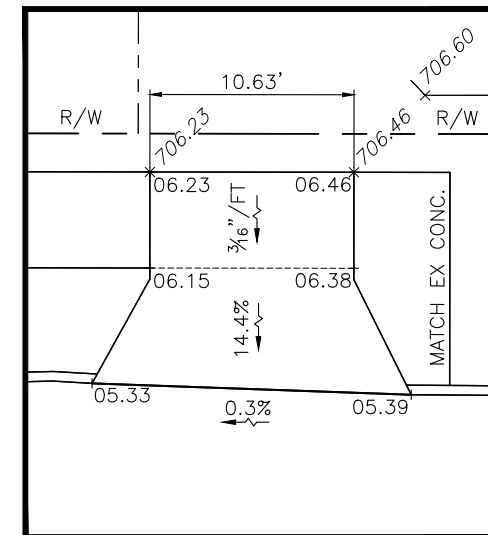
(DR-5) RESIDENTIAL DRIVE
STA. 86+93 RT



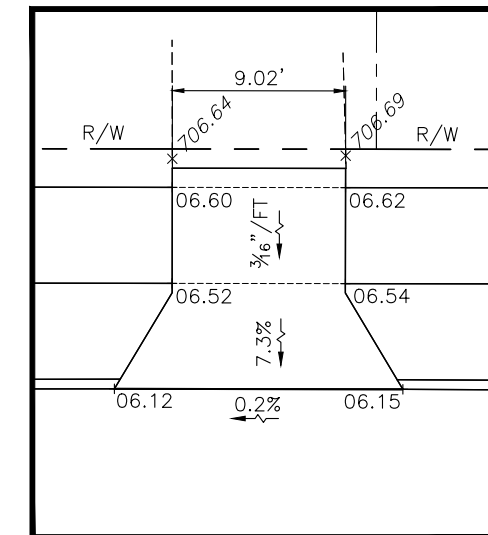
(DR-6) ALLEY
STA. 87+58 LT



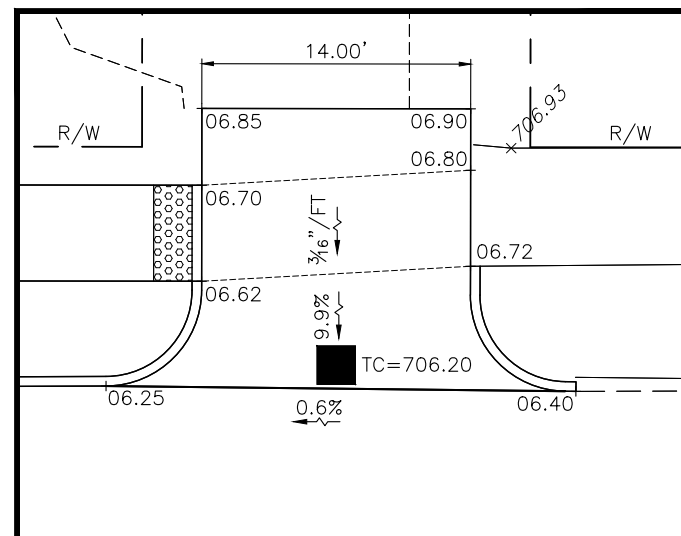
(DR-7) RESIDENTIAL DRIVE
STA. 88+27 RT



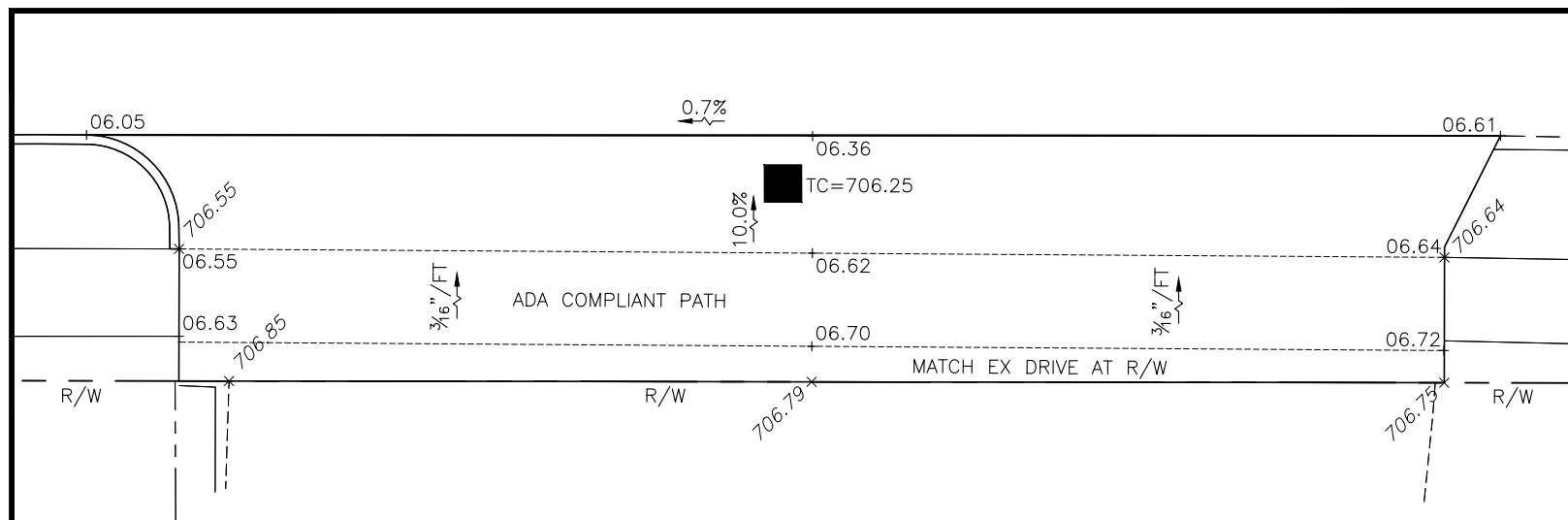
(DR-8) RESIDENTIAL DRIVE
STA. 88+74 LT



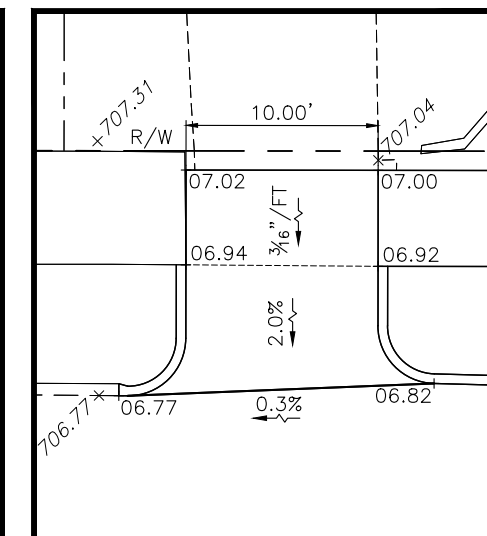
(DR-9) RESIDENTIAL DRIVE
STA. 90+71 LT



(DR-10) ALLEY
STA. 91+38 LT

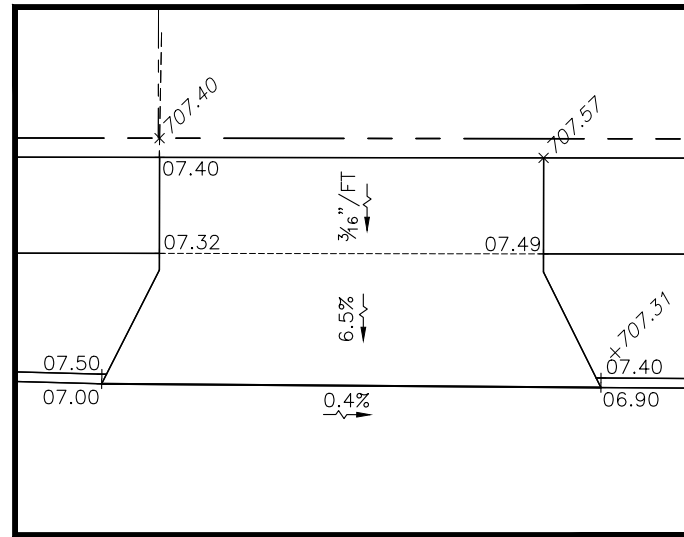


(DR-11) COMMERCIAL DRIVE
STA. 91+46 RT

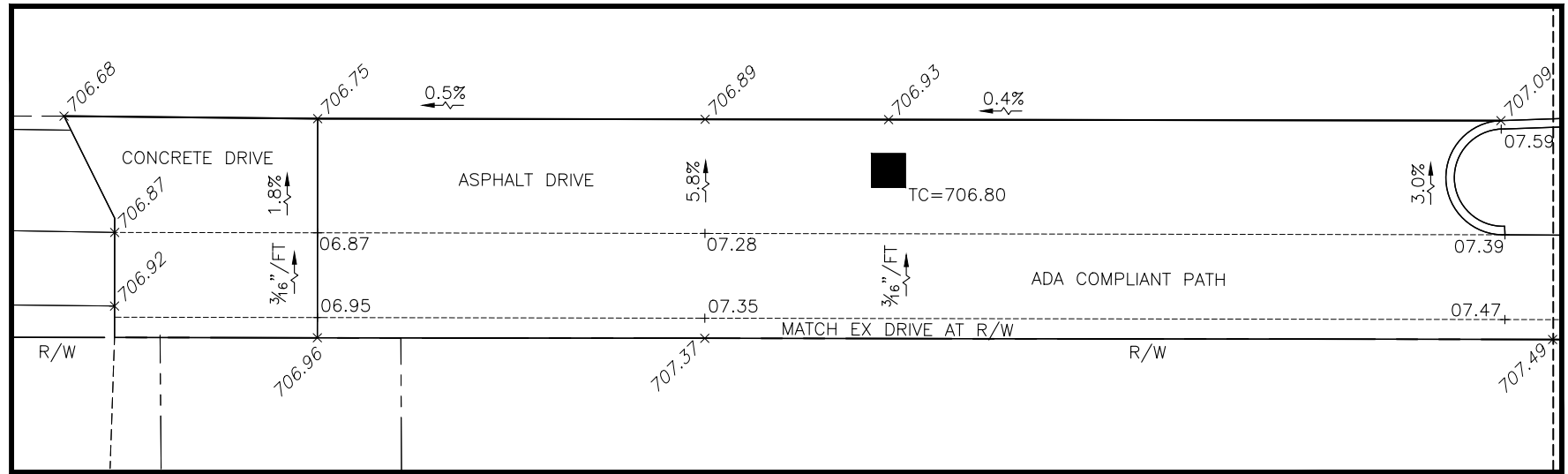


(DR-12) RESIDENTIAL DRIVE
STA. 92+10 LT

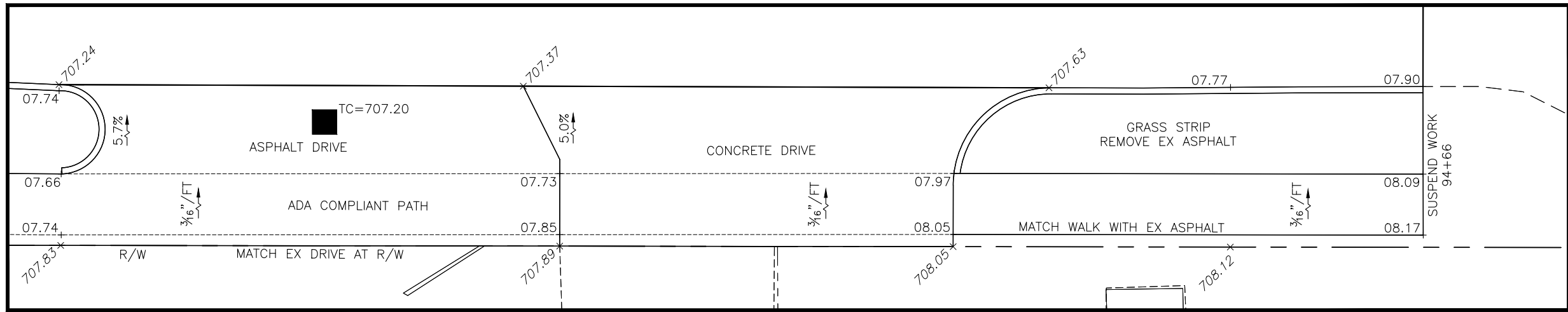
NOTE: ALL ALLEYS SHALL HAVE 4\"/>



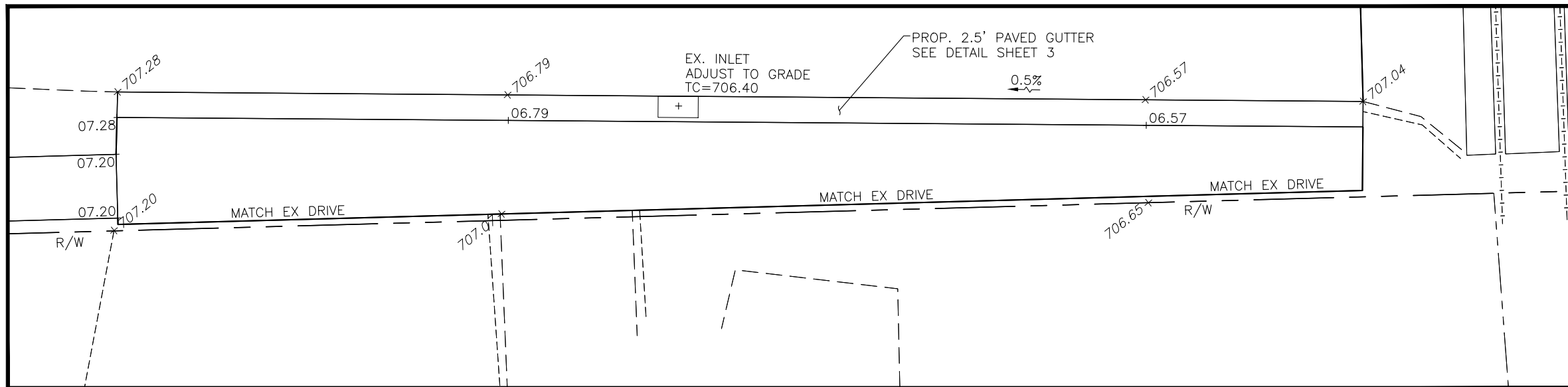
**(DR-13) RESIDENTIAL DRIVE
STA. 92+58 LT**



**(DR-14) COMMERCIAL DRIVE
STA. 92+62 RT**



**(DR-15) COMMERCIAL DRIVE
STA. 93+90 RT**

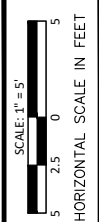


**(DR-16) COMMERCIAL DRIVE
STA. 96+18 RT**



CALCULATED
CHECKED

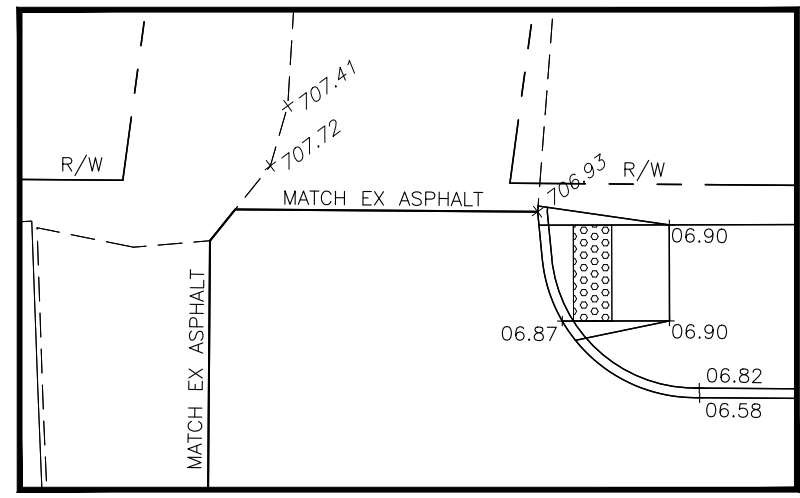
DRIVE AND ALLEY DETAILS



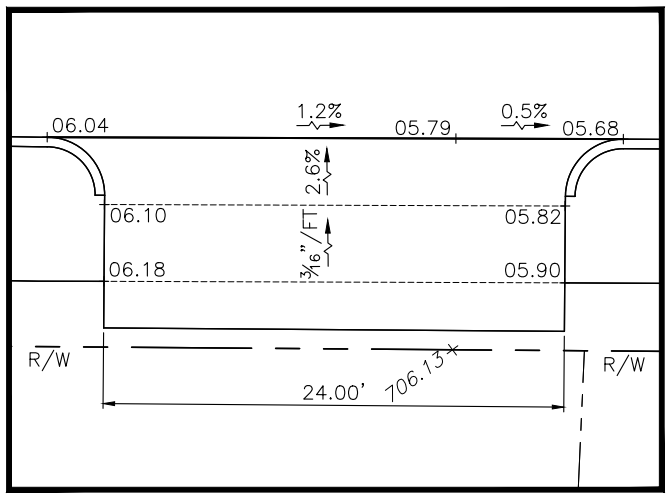
CALCULATED
CHECKED

DRIVE AND ALLEY DETAILS

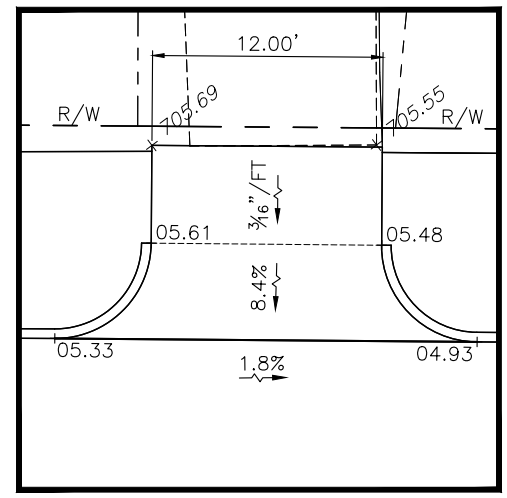
PIC-316 - 13.05-13.68
PART 2



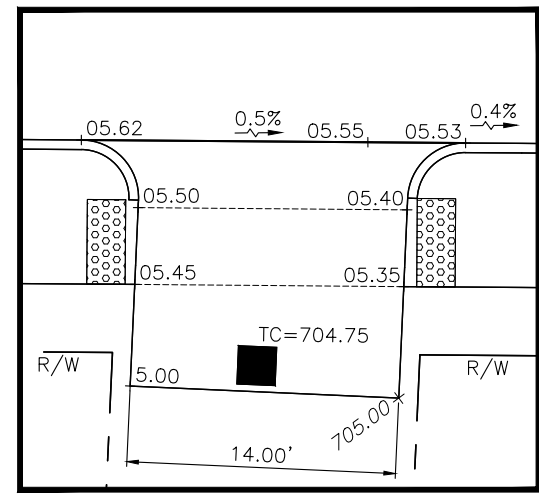
(DR-17) ALLEY
STA. 97+65 RT



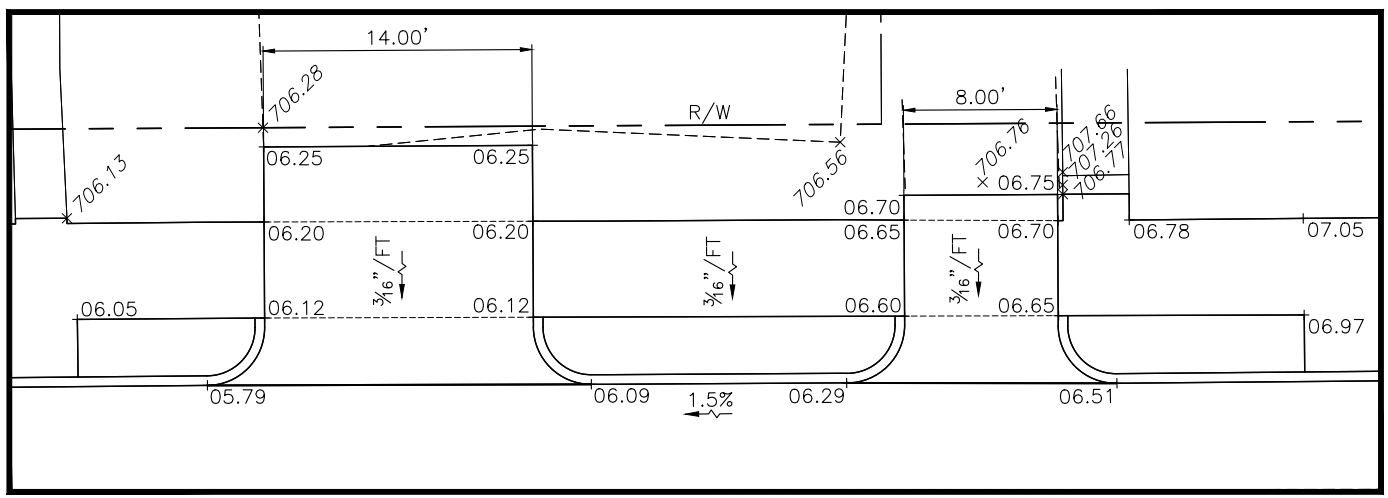
(DR-18) COMMERCIAL DRIVE
STA. 97+94 RT



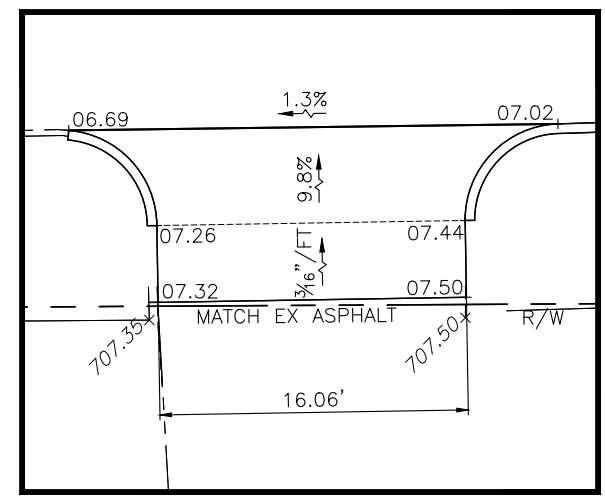
(DR-19) COMMERCIAL DRIVE
STA. 98+66 LT



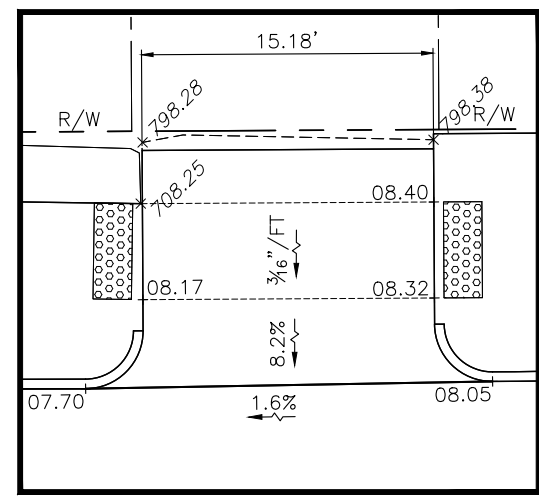
(DR-20) ALLEY
STA. 98+95 RT



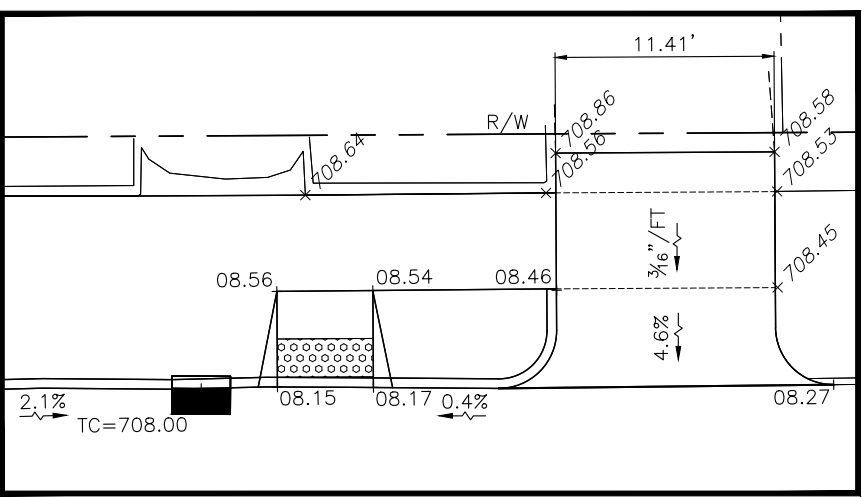
(DR-21) COMMERCIAL DRIVE ~ STA. 101+11 LT
(DR-23) RESIDENTIAL DRIVE ~ STA. 101+42 LT



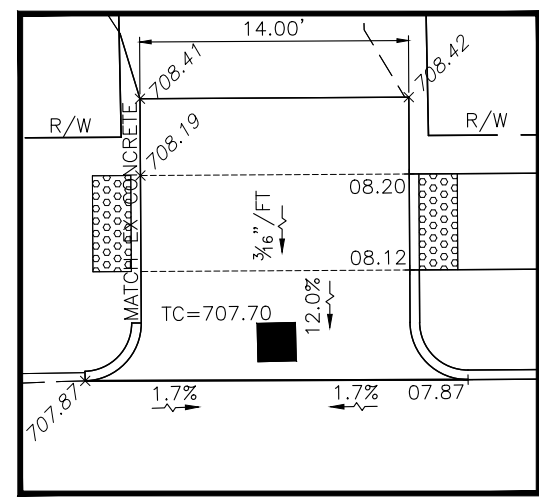
(DR-22) COMMERCIAL DRIVE
STA. 101+27 RT



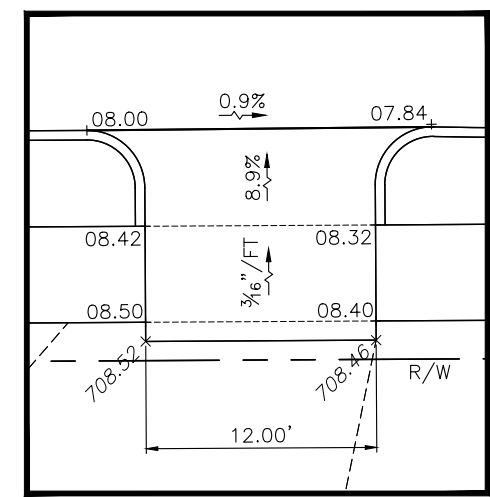
(DR-24) ALLEY
STA. 102+45 LT



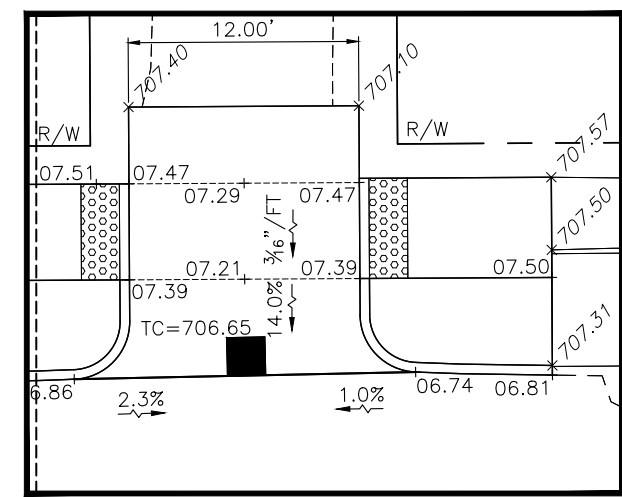
(DR-25) RESIDENTIAL DRIVE
STA. 103+49 LT



(DR-26) ALLEY
STA. 104+63 LT

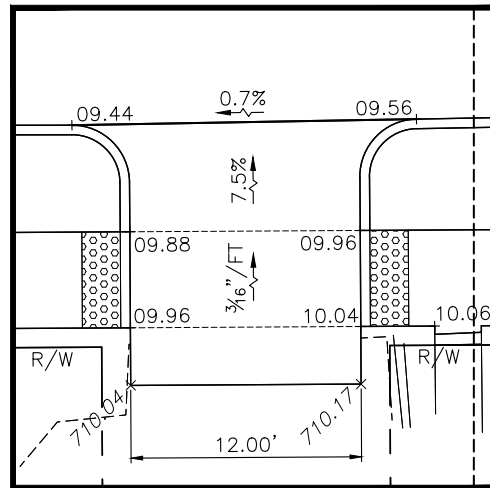


(DR-27) COMMERCIAL DRIVE
STA. 106+09 RT

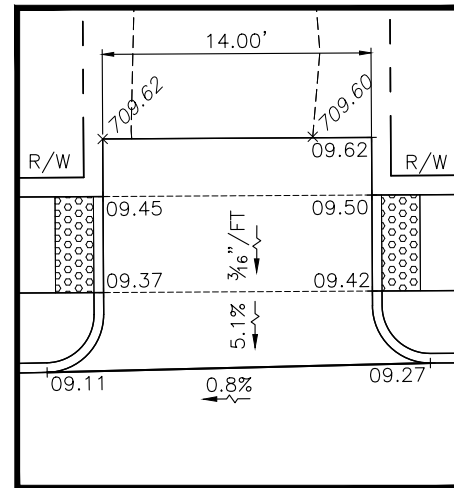


(DR-28) ALLEY
STA. 106+30 LT

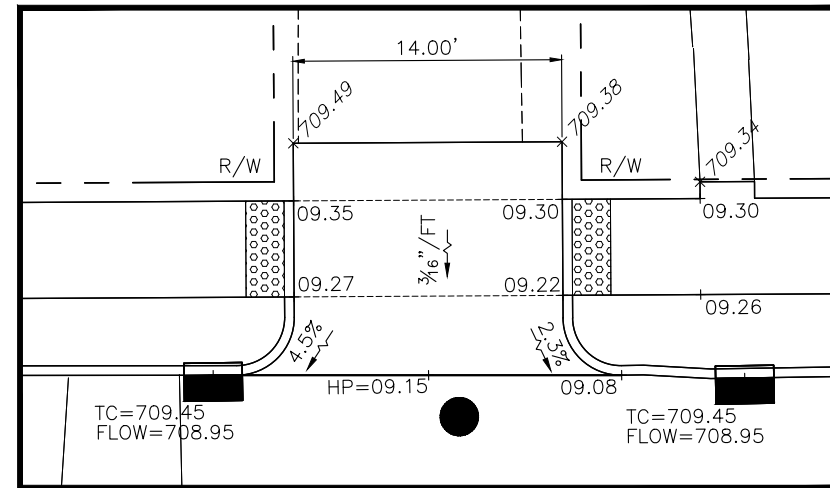
NOTE: ALL ALLEYS SHALL HAVE 4" PIPE UNDERDRAIN ALONG ALLEY CENTERLINE PER CITY OF COLUMBUS STD 2150.



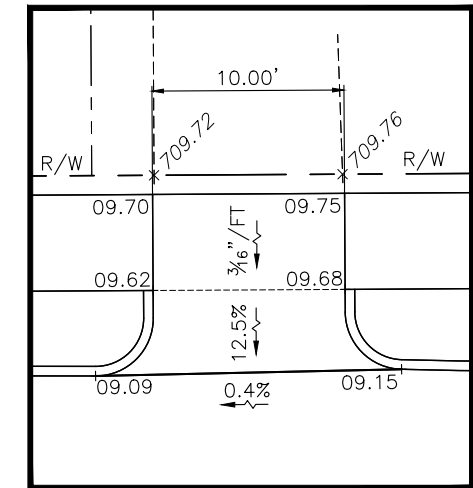
**(DR-29) ALLEY
STA. 110+00 RT**



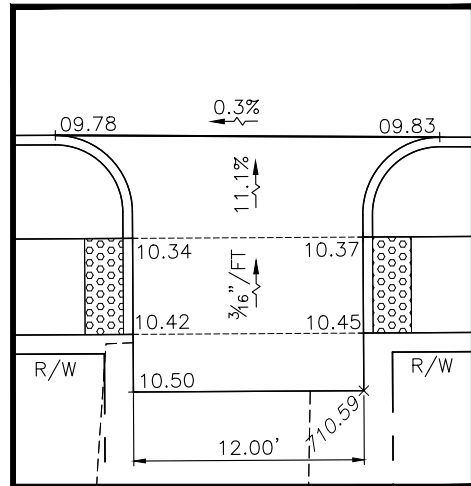
**(DR-30) ALLEY
STA. 110+07 LT**



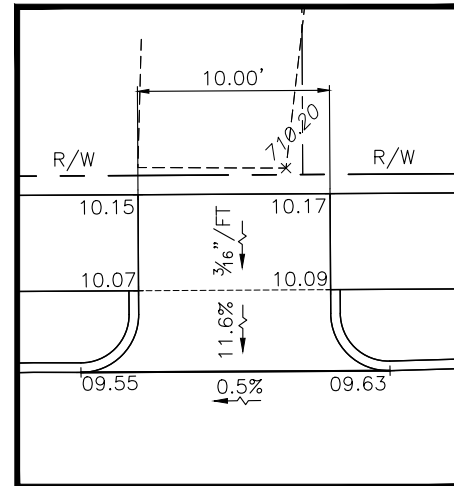
**(DR-31) ALLEY
STA. 111+94 LT**



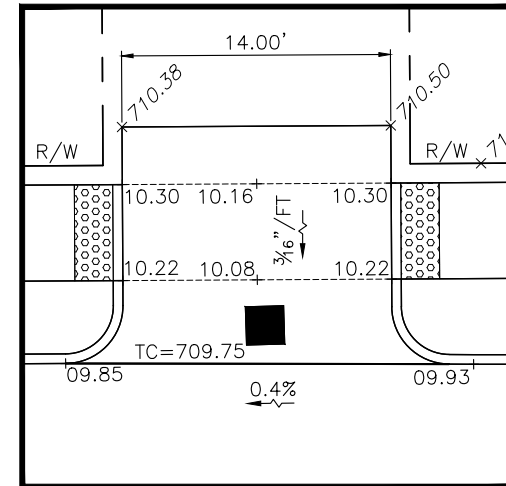
**(DR-32) RESIDENTIAL DRIVE
STA. 112+67 LT**



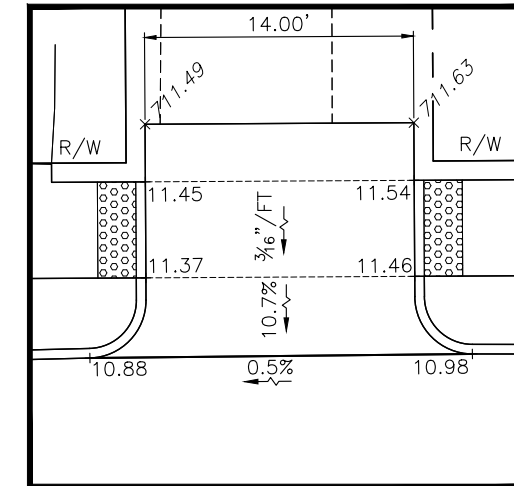
**(DR-33) ALLEY
STA. 113+14 RT**



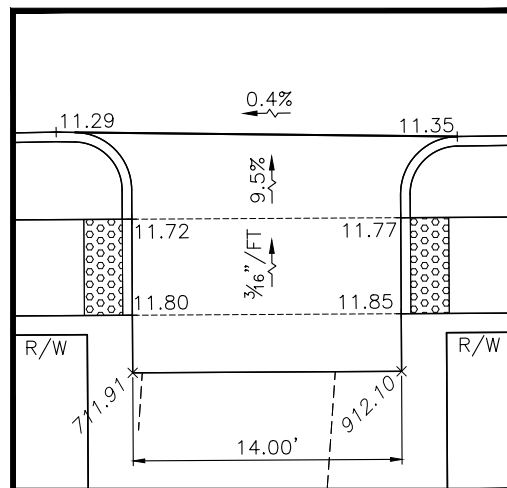
**(DR-34) RESIDENTIAL DRIVE
STA. 113+70 LT**



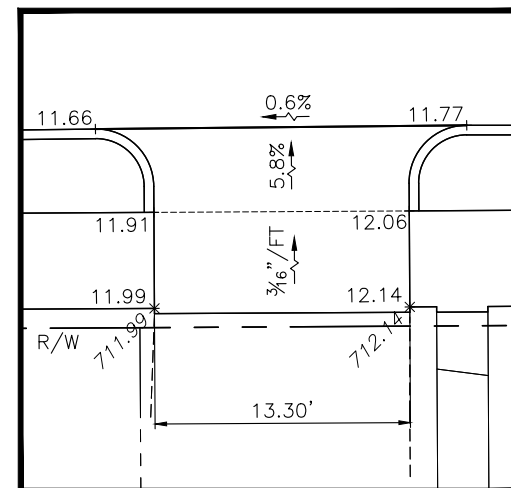
**(DR-35) ALLEY
STA. 114+39 LT**



**(DR-36) ALLEY
STA. 116+25 LT**



**(DR-37) ALLEY
STA. 116+26 RT**



**(DR-38) RESIDENTIAL DRIVE
STA. 117+00 RT**

NOTE: ALL ALLEYS SHALL HAVE 4\"/>



CALCULATED
CHECKED

DRIVE AND ALLEY DETAILS

SIGNING SUB-SUMMARY

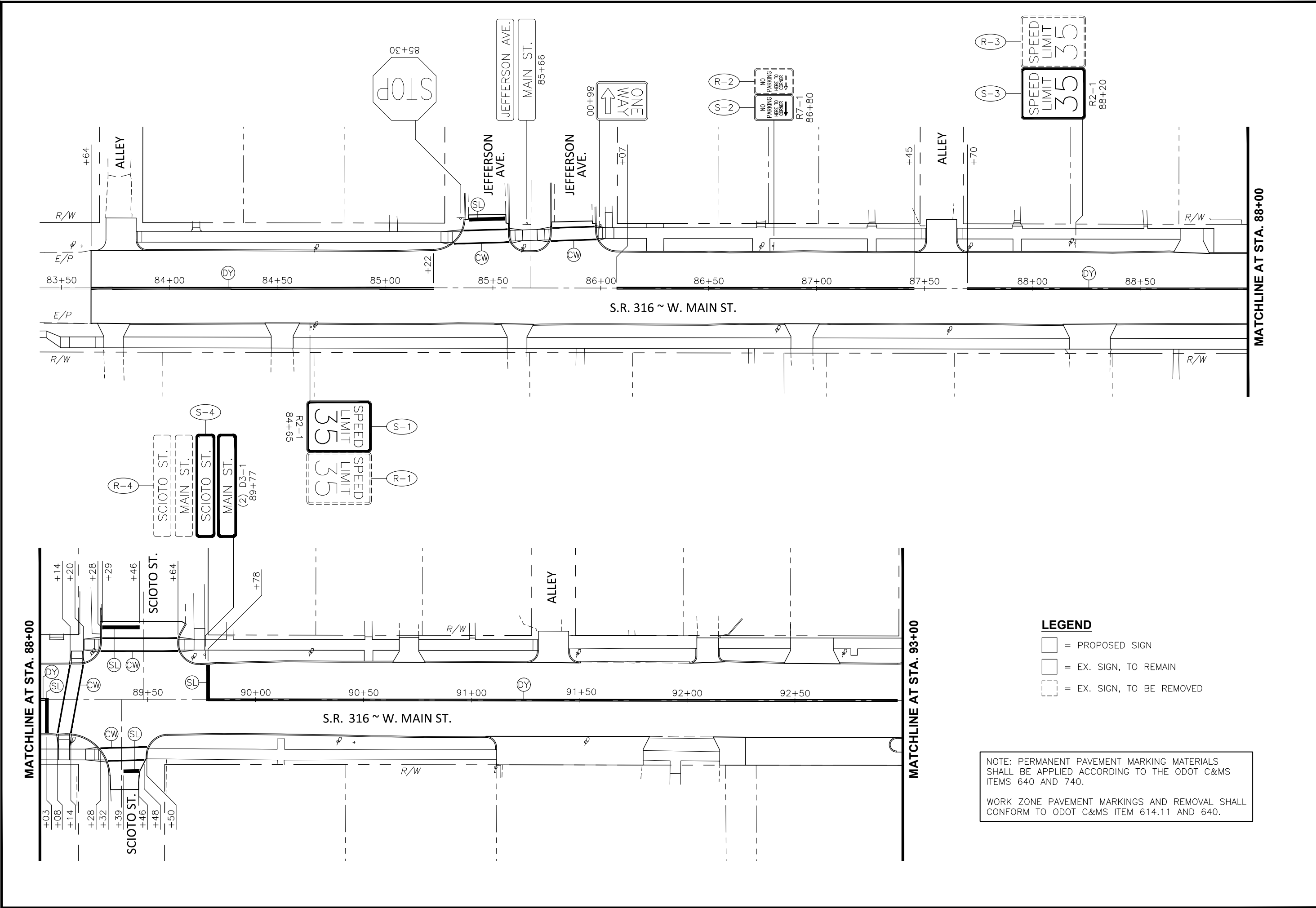
SHEET NO.	LOCATION	REF. NO.	STATION	SIDE	CODE	SIZE (INCHES)	630			
							GROUND MOUNTED SUPPORT, NO. 3 POST	SIGN, FLAT SHEET	REMOVAL OF GROUND MOUNTED SIGN AND DISPOSAL	
							FT	SF	EA	
63	S.R. 316 (MAIN STREET)	S-1	85+30	LT.	R1-1	30X30	12.5	6.25		
63		S-2	86+80	LT.	R7	12X18	11.5	1.5		
63		S-3	88+20	LT.	R2-1	24X30	12.5	5		
63		S-4	89+77	LT.	D3-1(2)	24X8	12	2.67		
64		S-5	93+32	RT.	W10-1	24 DIA.	11.5	3.14		
64	S.R. 316 (LONG STREET)	S-6	93+53	LT.	D3-1(2)	24X8	12	2.67		
64		S-7	98+02	RT.	M1-5	30X24	12	5		
						M5-1	21X15	11.5	2.19	
65		S-8	101+73	LT.	M1-5	30X24	12	5		
65						M5-1	21X15	11.5	2.19	
65	S.R. 316 (LONG STREET)	S-9	103+83	RT.	D3-1(2)	24X8	12	2.67		
						R1-1	30X30	12.5	6.25	
65		S-10	105+55	RT.	D3-1(2)	24X8	12	2.67		
						R1-1	30X30	12.5	6.25	
65		S-11	105+83	RT.	R2-1	24X30	12.5	5		
65	S-12	106+44	LT.	R2-1	24X30	12.5	5			
65	S-13	106+67	RT.	W11-2	30X30	12.5	6.25			
65	S-14	108+99	LT.	W11-2	30X30	12.5	6.25			
66	S.R. 316 (LONG STREET)	S-15	111+80	RT.	D3-1(2)	24X8	12	2.67		
66						R1-1	30X30	12.5	6.25	
66		S-16	112+19	RT.	R2-1	24X30	12.5	5		
66		S-17	116+15	LT.	R5-1	30X30	12.5	6.25		
66		S-18	116+35	LT.	CUSTOM	18X24	12	3		
66	S-19	117+69	LT.	R2-1	24X30	12.5	5			
66	S-20	118+09	LT.	D3-1(2)	24X8	12	2.67			
63	S.R. 316 (MAIN STREET)	R-1	85+30	LT.	R1-1	30X30			1	
63		R-2	86+80	LT.	R7	12X18			1	
63		R-3	88+20	LT.	R2-1	24X30			1	
63		R-4	89+77	LT.	D3-1(2)	24X8			1	
64		R-5	93+32	RT.	W10-1	24 DIA.			1	
64		R-6	93+53	LT.	D3-1(2)	24X8			1	
64		R-7	98+02	RT.	M1-5	30X24			2	
						M5-1	21X15			2
65		R-8	101+73	LT.	M1-5	30X24			2	
						M5-1	21X15			2
65		R-9	103+83	RT.	D3-1(2)	24X8			2	
						R1-1	30X30			2
65		R-10	105+55	RT.	D3-1(2)	24X8			2	
						R1-1	30X30			2
65	R-11	105+83	RT.	R2-1	24X30			1		
65	R-12	106+44	LT.	R2-1	24X30			1		
65	R-13	106+67	RT.	W11-2	30X30			1		
65	R-14	108+99	LT.	W11-2	30X30			1		
TOTALS CARRIED TO GENERAL SUMMARY										

SIGNING SUB-SUMMARY (CONTINUED)

SHEET NO.	LOCATION	REF. NO.	STATION	SIDE	CODE	SIZE (INCHES)	630		
							GROUND MOUNTED SUPPORT, NO. 3 POST	SIGN, FLAT SHEET	REMOVAL OF GROUND MOUNTED SIGN AND DISPOSAL
							FT	SF	EA
66	S.R. 316 (LONG STREET)	R-15	111+80	RT.	D3-1(2)	24X8			2
						R1-1	30X30		
66		R-16	112+19	RT.	R2-1	24X30			1
66		R-17	116+15	LT.	R5-1	30X30			1
66		R-18	116+35	LT.	CUSTOM	18X24			1
66		R-19	117+69	LT.	R2-1	24X30			1
66	R-20	118+09	LT.	D3-1(2)	24X8			1	
TOTALS CARRIED TO GENERAL SUMMARY							304	107	25

TRAFFIC CONTROL ITEMS SUB-SUMMARY

SHEET NO.	LOCATION	LINE ID	SIDE	644			
				CENTER LINE, DOUBLE SOLID	STOP LINE, 24"	CROSSWALK LINE, 12"	RAILROAD SYMBOL MARKING
				MILE	FT	FT	EA
63	S.R. 316 (MAIN STREET)	DY	BOTH	0.14			
63		SL	BOTH		74		
63		CW	BOTH			259	
64	S.R. 316 (MAIN STREET & LONG STREET)	DY	BOTH	0.12			
64		SL	BOTH		104		
64		CW	BOTH			208	
64		RR	BOTH				2
65	S.R. 316 (LONG STREET)	DY	BOTH	0.14			
65		SL	BOTH		70		
65		CW	BOTH			432	
66	S.R. 316 (LONG STREET)	DY	BOTH	0.12			
66		SL	BOTH		102		
66		CW	BOTH			283	
TOTALS CARRIED TO GENERAL SUMMARY				0.52	350	1182	2



LEGEND

- = PROPOSED SIGN
- = EX. SIGN, TO REMAIN
- = EX. SIGN, TO BE REMOVED

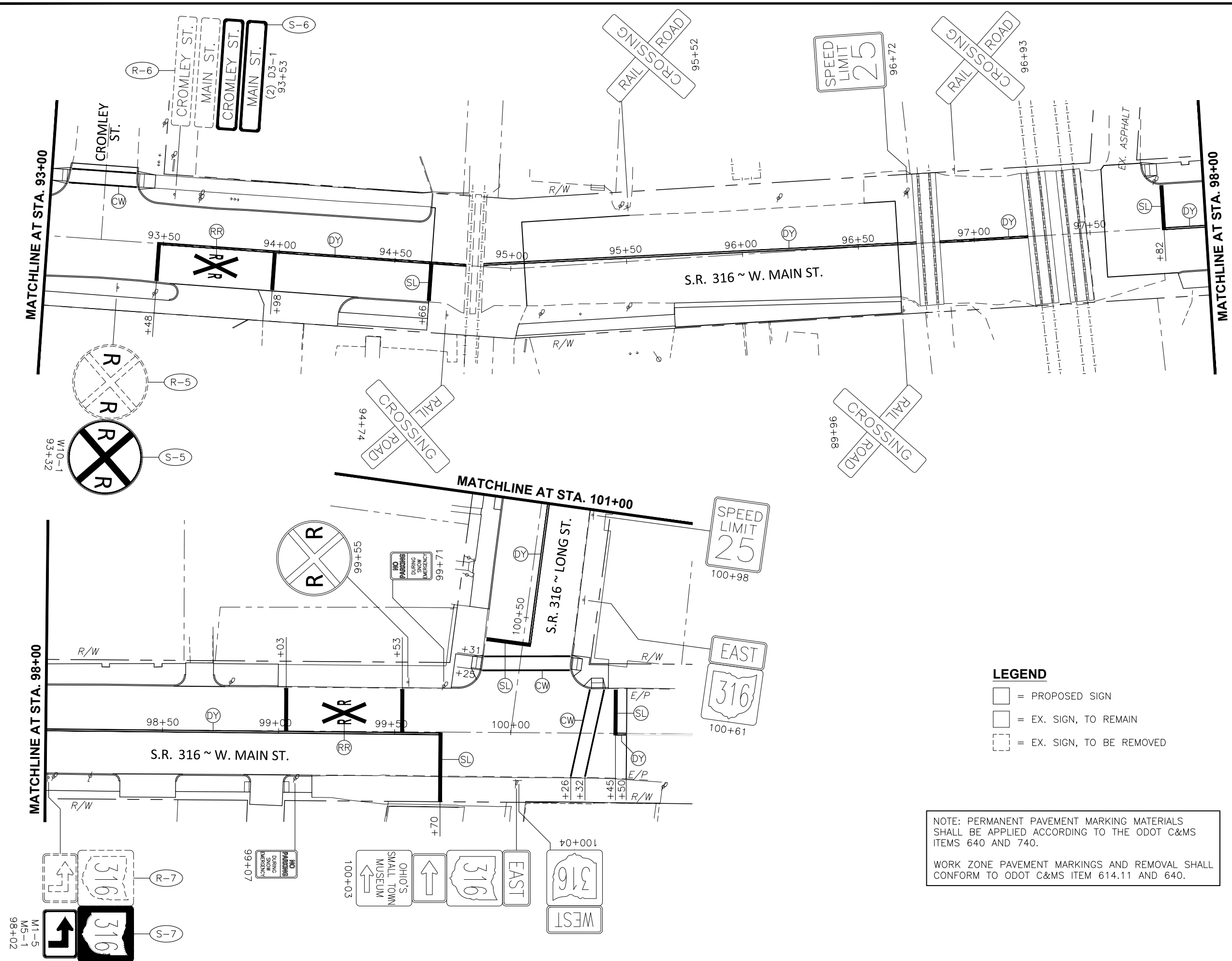
NOTE: PERMANENT PAVEMENT MARKING MATERIALS SHALL BE APPLIED ACCORDING TO THE ODOT C&MS ITEMS 640 AND 740.

WORK ZONE PAVEMENT MARKINGS AND REMOVAL SHALL CONFORM TO ODOT C&MS ITEM 614.11 AND 640.

SCALE: 1" = 20'
 HORIZONTAL SCALE IN FEET

CALCULATED
 CHECKED

TRAFFIC CONTROL PLAN
STA. 83+64 TO STA. 93+00



LEGEND

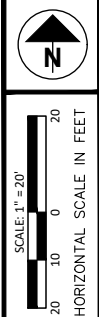
- = PROPOSED SIGN
- = EX. SIGN, TO REMAIN
- = EX. SIGN, TO BE REMOVED

NOTE: PERMANENT PAVEMENT MARKING MATERIALS SHALL BE APPLIED ACCORDING TO THE ODOT C&MS ITEMS 640 AND 740.

WORK ZONE PAVEMENT MARKINGS AND REMOVAL SHALL CONFORM TO ODOT C&MS ITEM 614.11 AND 640.

M1-5
M5-1
98+02

R-7
S-7

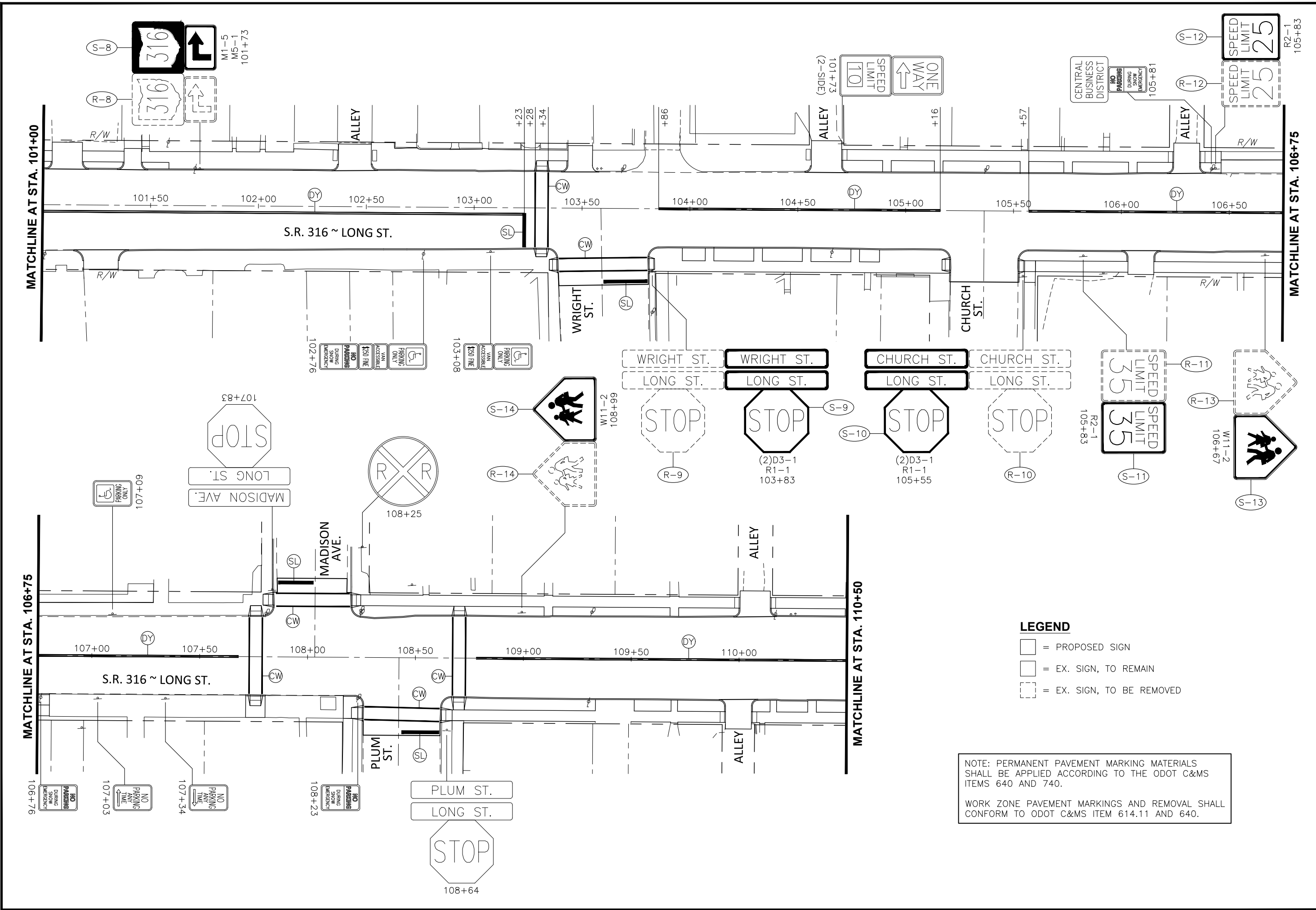


CALCULATED
CHECKED

TRAFFIC CONTROL PLAN
STA. 93+00 TO STA. 101+00

PIC-316 - 13.05-13.68
PART 2

64
66

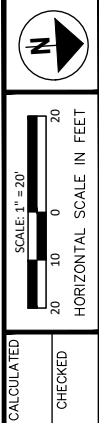


LEGEND

- = PROPOSED SIGN
- = EX. SIGN, TO REMAIN
- = EX. SIGN, TO BE REMOVED

NOTE: PERMANENT PAVEMENT MARKING MATERIALS SHALL BE APPLIED ACCORDING TO THE ODOT C&S ITEMS 640 AND 740.

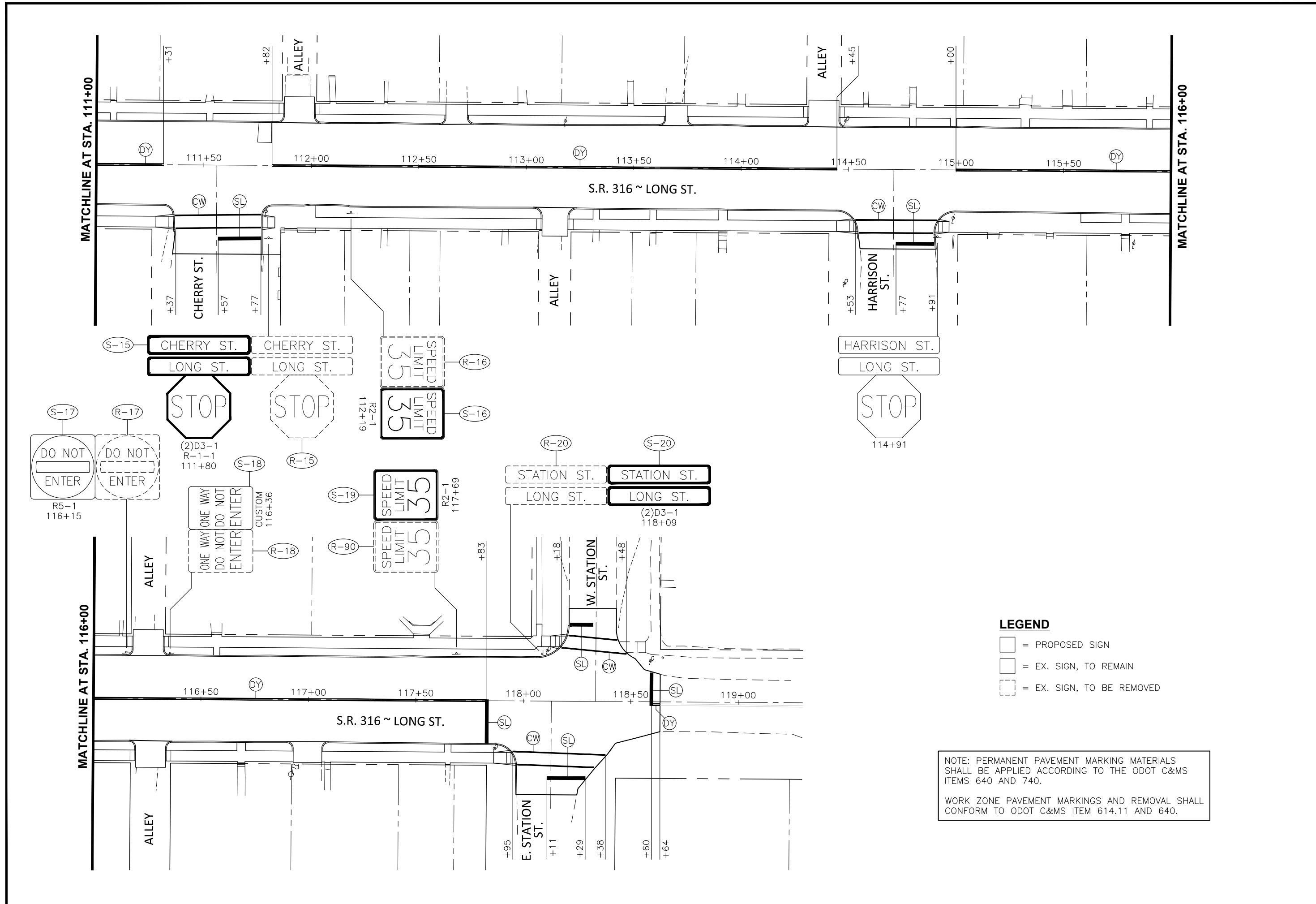
WORK ZONE PAVEMENT MARKINGS AND REMOVAL SHALL CONFORM TO ODOT C&S ITEM 614.11 AND 640.



CALCULATED
CHECKED

**TRAFFIC CONTROL PLAN
STA. 101+00 TO STA. 111+00**

**PIC-316 - 13.05-13.68
PART 2**



LEGEND

- = PROPOSED SIGN
- = EX. SIGN, TO REMAIN
- = EX. SIGN, TO BE REMOVED

NOTE: PERMANENT PAVEMENT MARKING MATERIALS SHALL BE APPLIED ACCORDING TO THE ODOT C&MS ITEMS 640 AND 740.

WORK ZONE PAVEMENT MARKINGS AND REMOVAL SHALL CONFORM TO ODOT C&MS ITEM 614.11 AND 640.

SCALE: 1" = 20'
 20 10 0 10 20
 HORIZONTAL SCALE IN FEET

CALCULATED
 CHECKED

TRAFFIC CONTROL PLAN
STA. 111+00 TO STA. 118+64